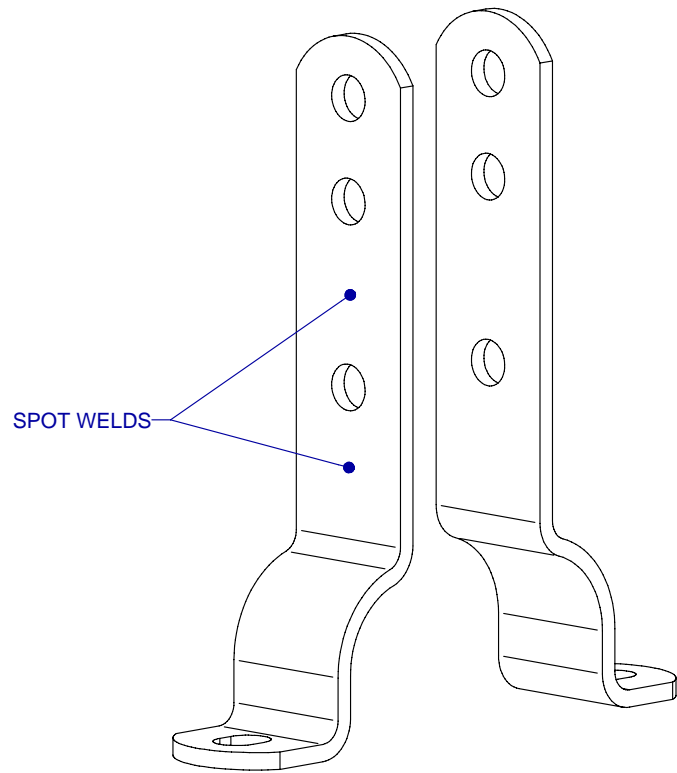
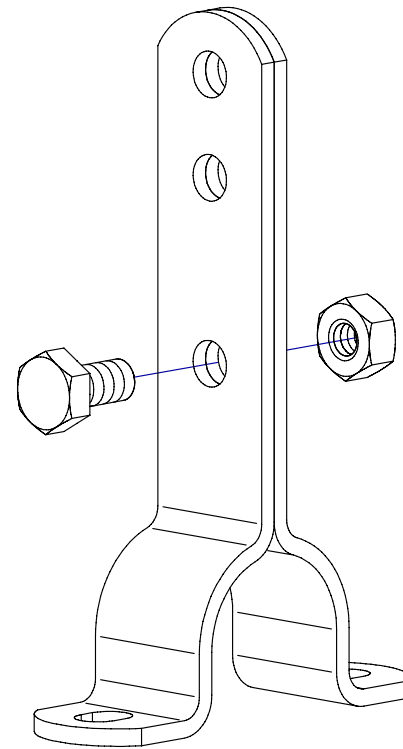


NOTES:

SCALE: .875



IF SPOT WELDS DO NOT HOLD
THIS CAN HAPPEN
BRACKET CAN SEPARATE



IF SEPARATION OCCURS
FIX WITH A 1/4-20 OR A M8
BOLT
AND NUT AS SHOWN



FIELD FIX: 898 CLAMP

PART NR.:

DATE: 3-18-05

REVISION:

GL1047