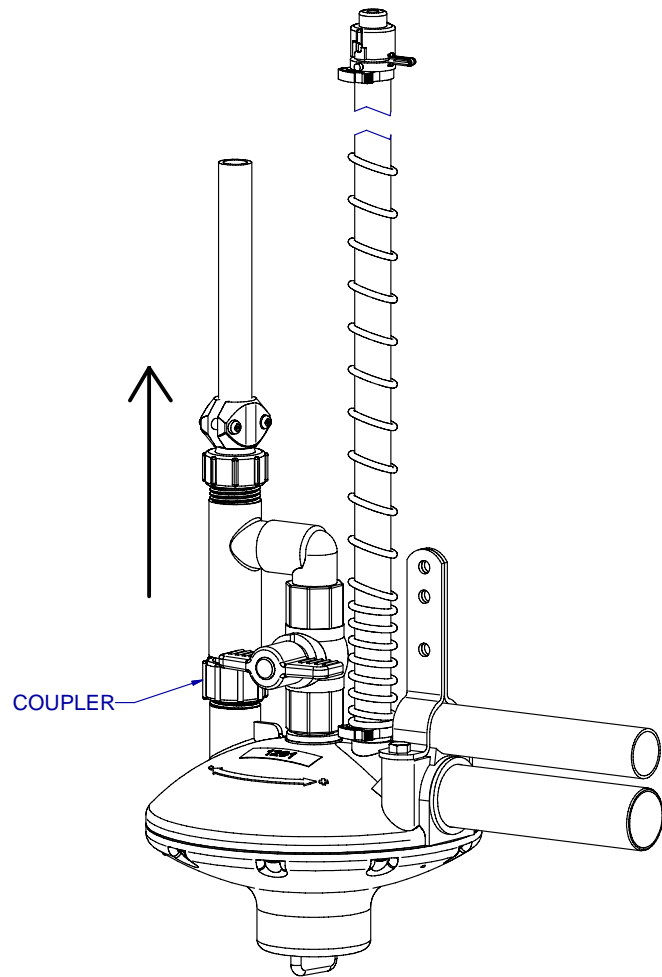
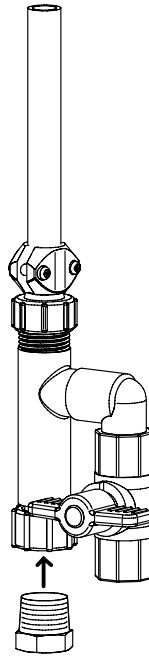


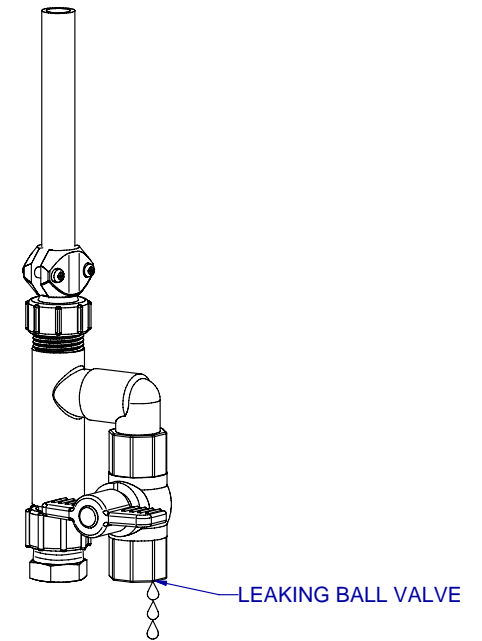
IF REGULATOR CANNOT MAINTAIN A CERTAIN PRESSURE SETTING AND THE WATER IN THE RISER TUBE CREEPS UPWARD CHECK TO SEE IF THE REGULATOR FLUSH UNITS ARE LEAKING (PART NUMBER 1373 OR 1374). THE FOLLOWING ON-SITE TEST WILL QUICKLY DETERMINE WHETHER OR NOT A FAULTY FLUSH UNIT IS TO BLAME.



TURN OFF WATER SUPPLY TO THE REGULATOR. LOOSEN THIS COUPLER. PULL THE FLUSH UNIT UP AND AWAY FROM THE REGULATOR.



THREAD A 3/4" NPT PLASTIC PLUG INTO THE COUPLER



WITH THE FLUSH UNIT VALVE TURNED FULLY SHUT, TURN THE WATER SUPPLY BACK ON. NOTE IF WATER LEAKS THROUGH THE VALVE. IF WATER LEAKS THROUGH THE VALVE, REPLACE WITH A NEW 1373 OR 1374 FLUSH UNIT.



FIELD TEST: FAULTY REGULATOR FLUSH UNITS - 1373 & 1374

PART NR.:

DATE: 5-16-05

REVISION:

GL1048