

**SHUT OFF ASSEMBLY: FLOOR ACE**

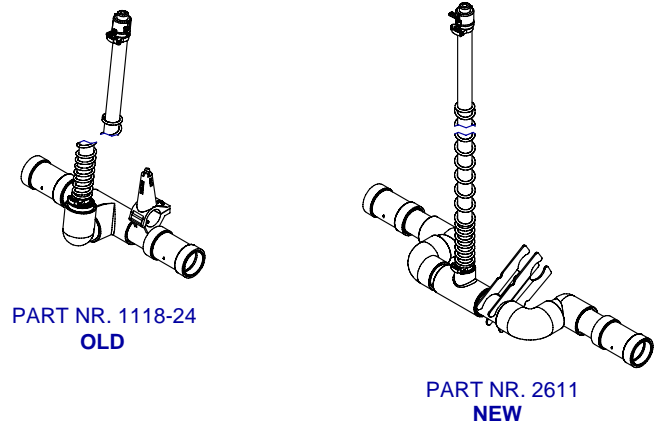
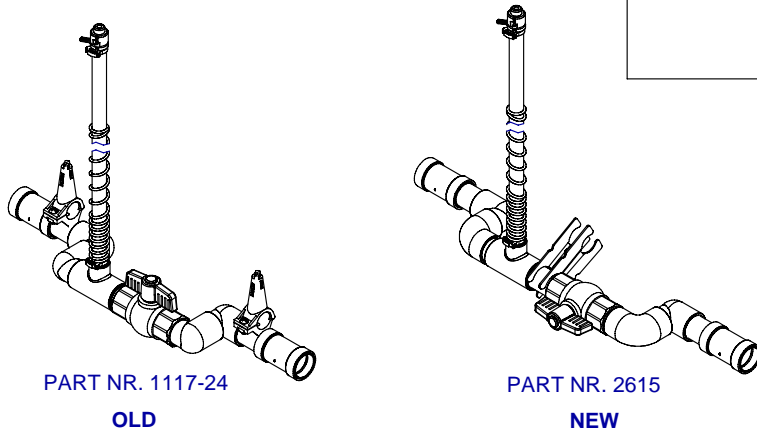
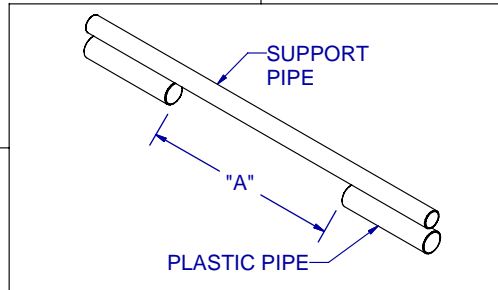
PART NUMBER 2613 REQUIRES A GAP IN THE PLASTIC PIPE OF 16 3/8" OR 42.5 cm (NOTE CENTER ILLUSTRATION)

UPGRADING FROM PART NR. 4708 REQUIRES CUTTING PLASTIC PIPE  
UPGRADING FROM PART NR. 4608 REQUIRES ADDING PIPE

**AIR RELEASE ASSEMBLY: FLOOR ACE**

PART NUMBER 2609 REQUIRES A GAP IN PLASTIC PIPE OF 13 3/4" OR 34.9 cm (NOTE CENTER ILLUSTRATION)

UPGRADING FROM PART NR. 4712 REQUIRES CUTTING PLASTIC PIPE  
UPGRADING FROM PART NR. 4612 REQUIRES ADDED PIPE



**SHUT OFF ASSEMBLY: FLOOR BIG ACE**

PART NR. 2615 REQUIRES A GAP IN THE PLASTIC PIPE OF 21 1/2" OR 54.6 cm (NOTE CENTER ILLUSTRATION)

UPGRADING FROM PART NR. 1117-24 REQUIRES CUTTING PLASTIC PIPE

**AIR RELEASE ASSEMBLY: FLOOR BIG ACE**

PART NR. 2611 REQUIRES A CAP IN THE PLASTIC PIPE 17 3/8" OR 44.1 cm (NOTE CENTER ILLUSTRATION)

UPGRADING FROM PART NR. 1118-24 REQUIRES CUTTING PLASTIC PIPE



**INSTALLATION INSTRUCTIONS: FLOOR AIR AND SHUT OFF ASSEMBLIES**

DATE: 6-13-05

REVISION:

PART NR.:

**GL1050**