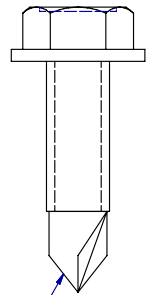
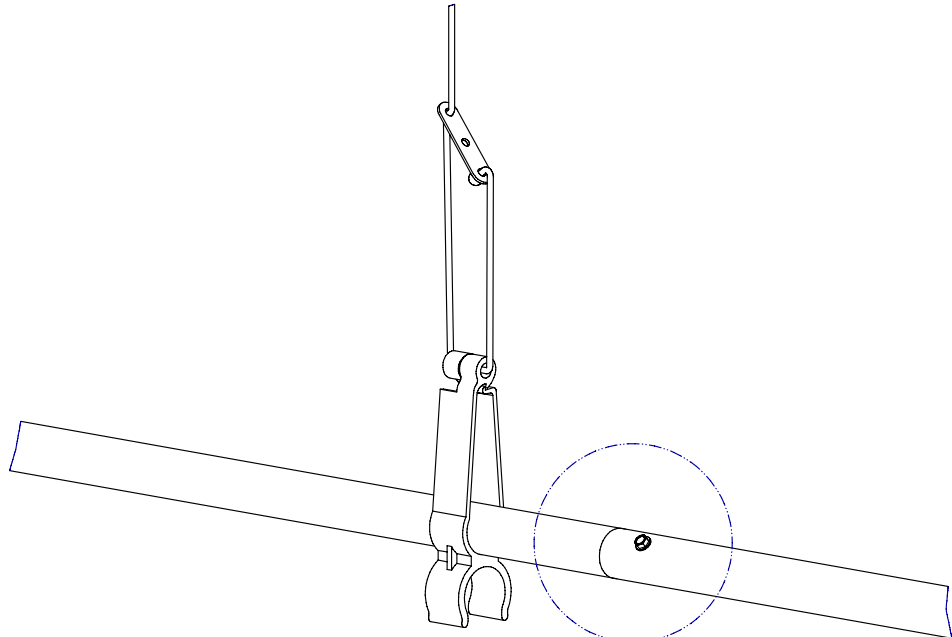
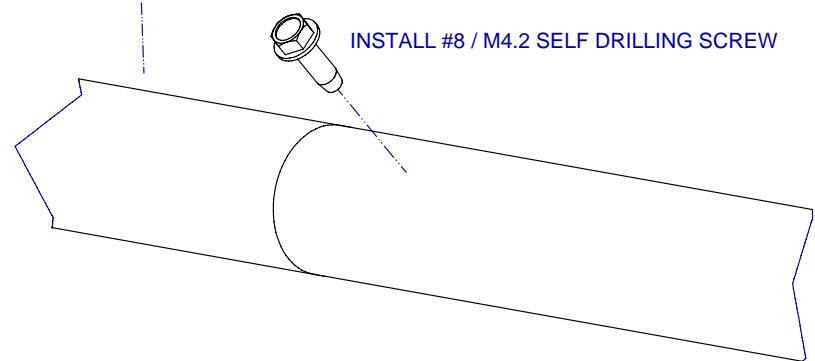


SCALE:



SELF-DRILLING TIP ON SCREW



INSTALL #8 / M4.2 SELF DRILLING SCREW



INSTALLATION: PREVENTING SUPPORT PIPE SEPARATION

DATE: 11-02-05

REVISION: 1

PART NR.:
GL1055