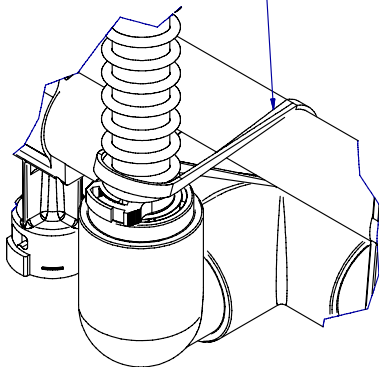


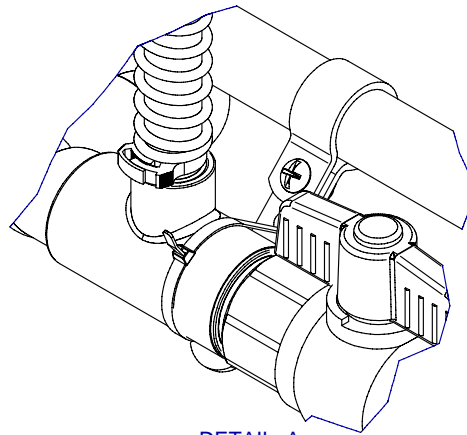
B

USE A CABLE-TIE AS SHOWN

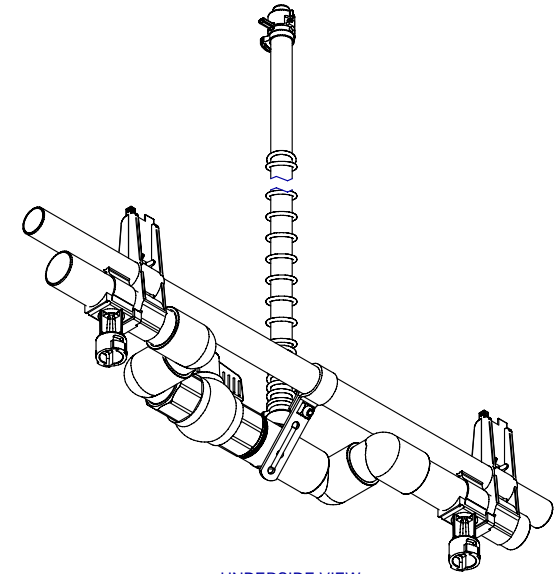


DETAIL B

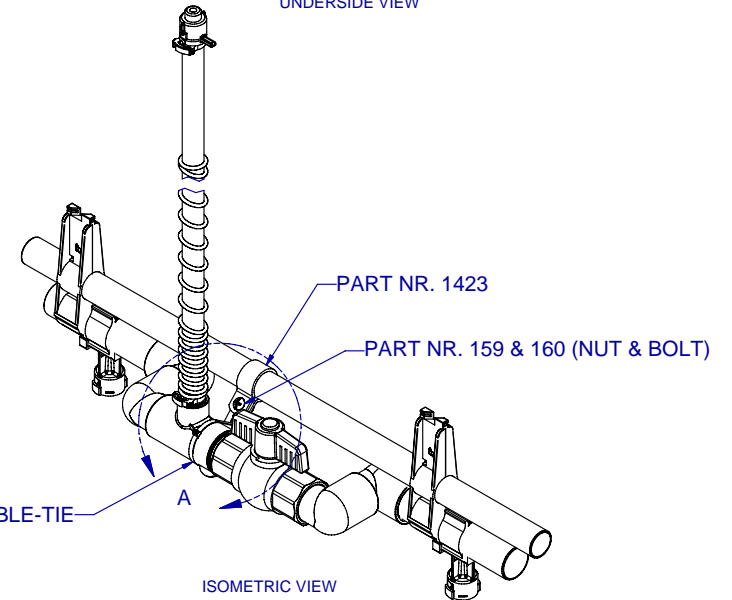
PART NR. 2281



DETAIL A



UNDERSIDE VIEW



PART NR. 1423

PART NR. 159 & 160 (NUT & BOLT)

CABLE-TIE

A

ISOMETRIC VIEW

PART NR. 2280



FIELD FIX: FLOOR SHUT OFF & AIR
RELEASE ASSEMBIES (2280 SERIES)

PART NR.:

GL1053

DATE: 7-15-05

REVISION: