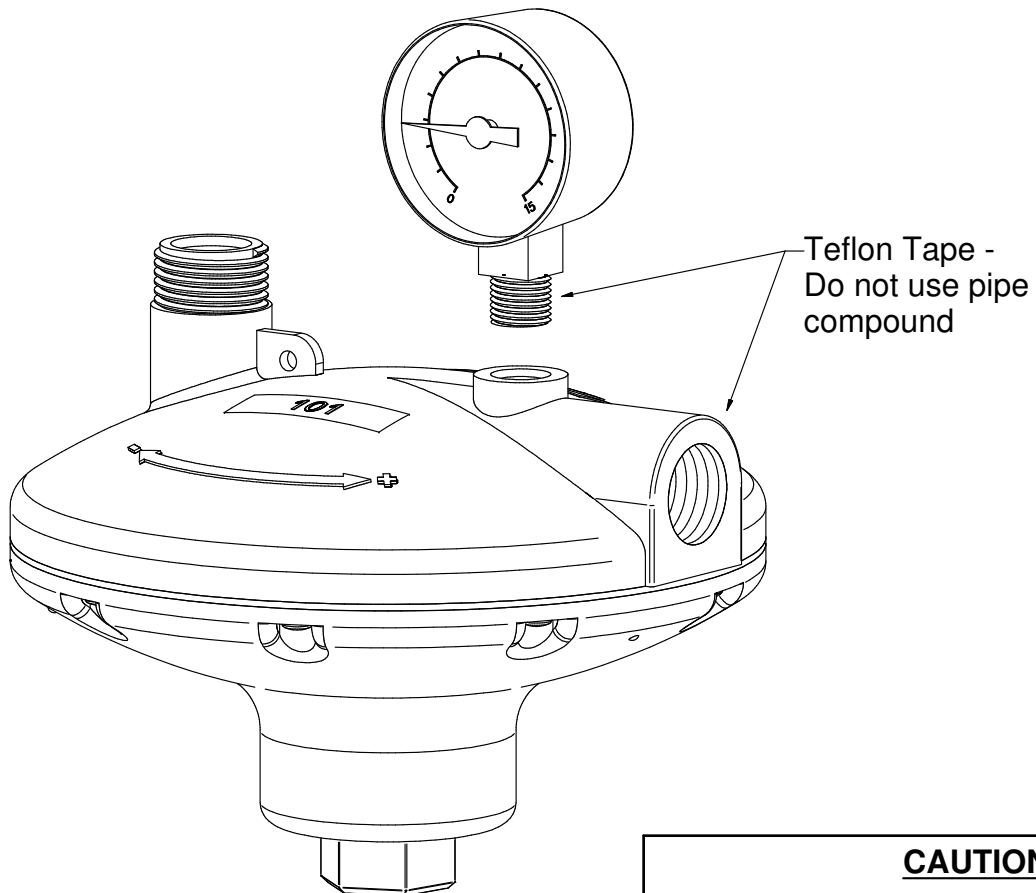
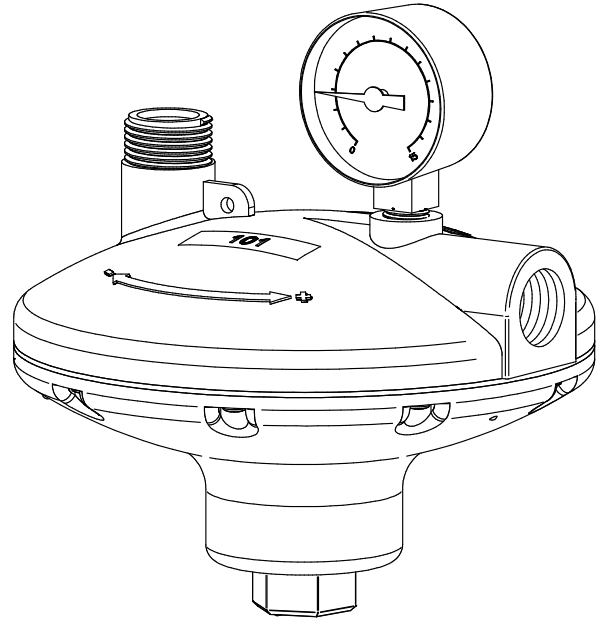


Assembly Instructions

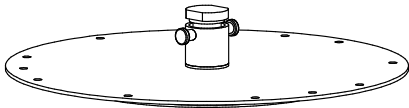
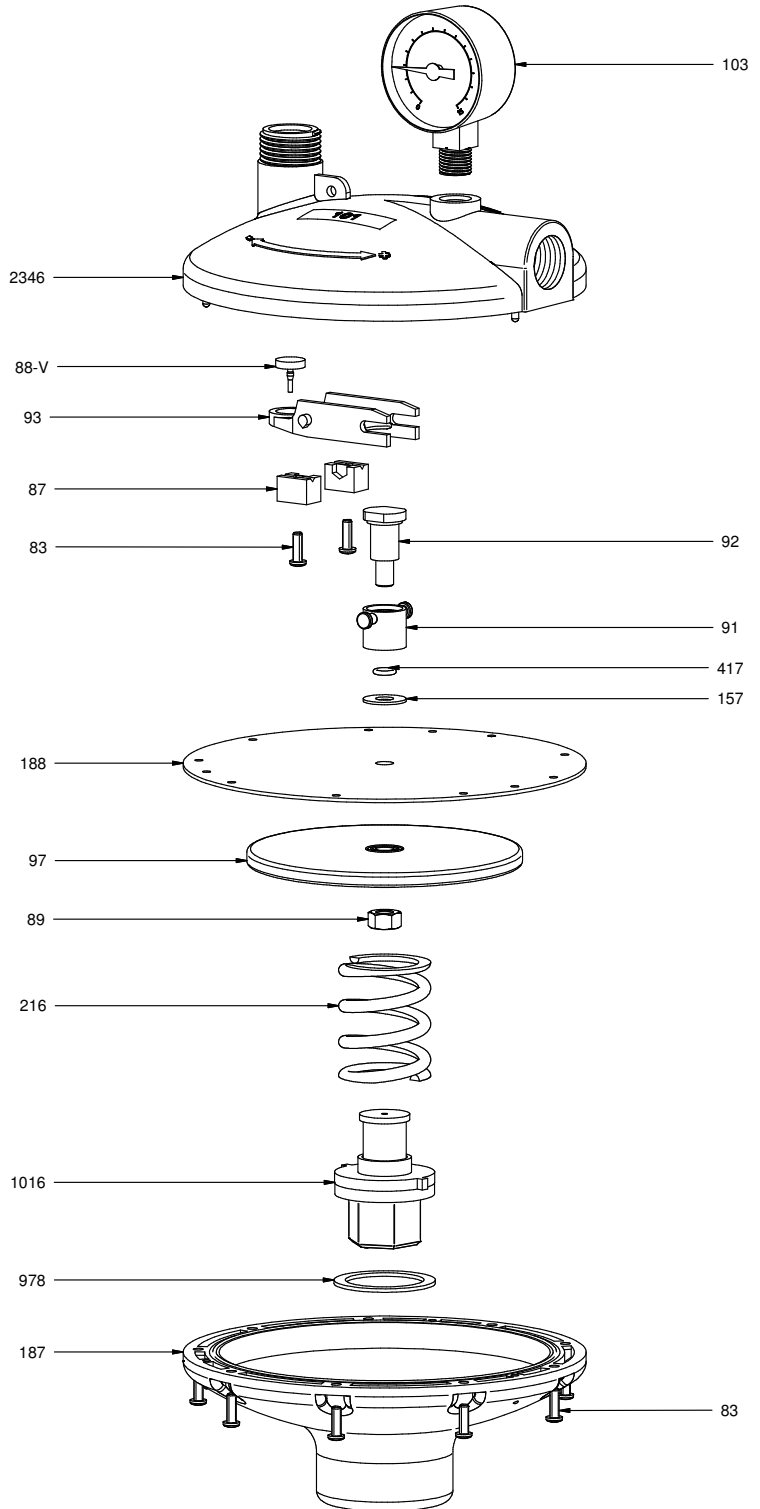


CAUTION

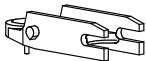
DO NOT ALLOW THIS ITEM TO COME INTO CONTACT WITH PETROLEUM, PHENOL OR ALDEHYDE BASED PRODUCTS OR ANY OTHER CORROSIVE PRODUCT IN GENERAL

COMPONENTS

PART NR.	QTY	DESCRIPTION
103	1	PRESSURE GAUGE: 0 - 15 PSI / 0 - 1 BAR
83	11	FASTENER: SCREW PAN HD PHILLIPS #7 - 18 X 1/2" LG - PLASTITE THREAD
87	2	REGULATOR PART: RETAINER BLOCK - STANDARD
187	1	REGULATOR PART: ADJUSTMENT HOUSING - STANDARD & INLINE
216	1	REGULATOR PART: SPRING 3 - 10 PSI
89	1	FASTENER: NUT HEX 5/16"-18 X 1/2" WD X 17/64" H
91	1	REGULATOR PART: SWIVEL COUPLING - STANDARD
92	1	REGULATOR PART: SHOULDER BOLT - STANDARD
97	1	REGULATOR PART: DIAPHRAGM BACKING PLATE - STANDARD
157	1	WASHER: METAL - 5/16" ID X 3/4" OD X 0.044" TH
188	1	REGULATOR PART: DIAPHRAGM 3 - 10 PSI
417	1	O-RING: 6.40MM ID X 10.21MM OD X 1.90MM CS
88-V	1	REGULATOR PART: OPENING ARM SEAT
93	1	REGULATOR PART: OPENING ARM - STANDARD W/O SEAT
978	1	REGULATOR PART: ANTI-FRICTION RING - INLINE
1016	1	REGULATOR PART: ADJUSTMENT KNOB ASSEMBLY - INLINE
2346	1	REGULATOR PART: INLET/OUTLET HOUSING - GAUGE 0.5 - 2.5" PSI



301 ASSEMBLY



888 ASSEMBLY

P.O. Box 1169
 101 Industrial Parkway
 Middlebury, Indiana
 46540-1169, USA
 Tel: + 1 574.825.5849
 Fax: + 1 574.825.7674
 Web: www.ziggity.com