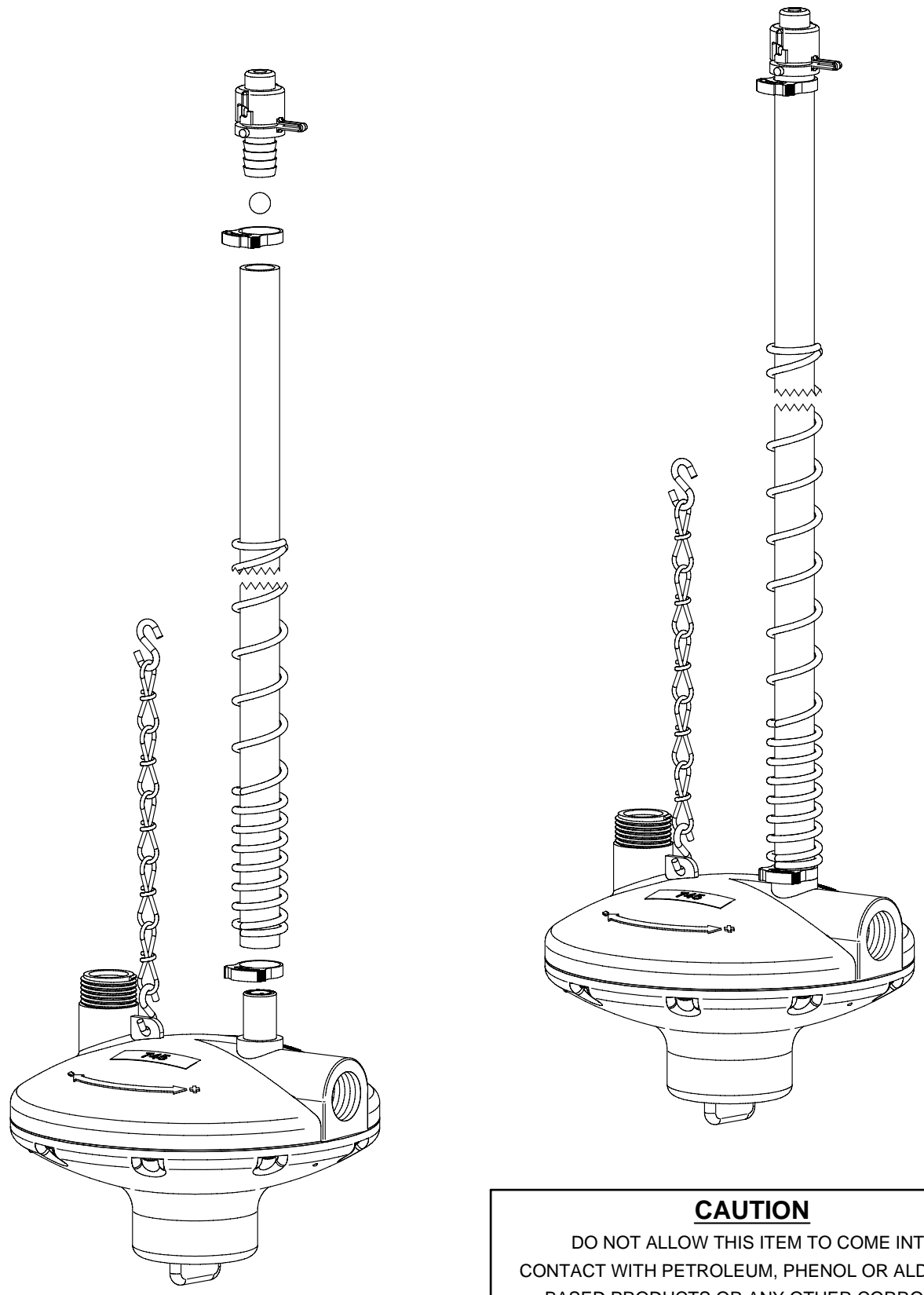


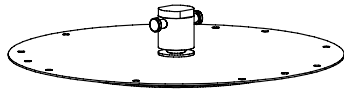
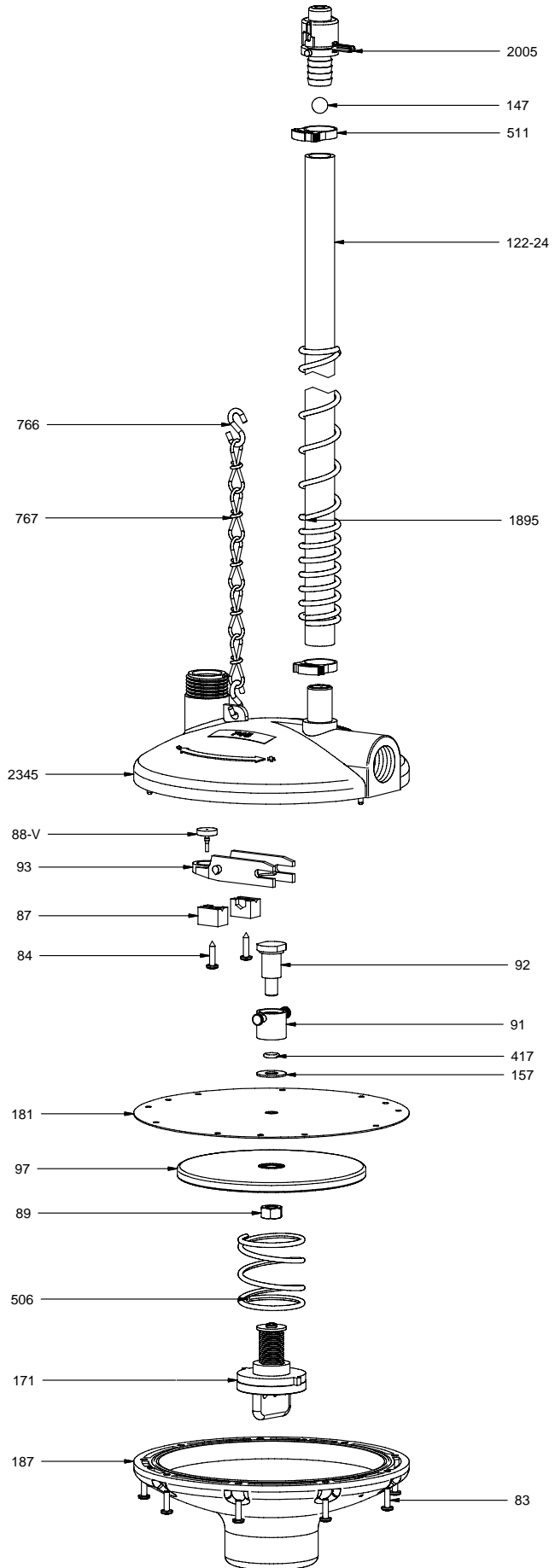
Assembly Instructions



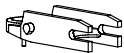
**CAUTION**  
DO NOT ALLOW THIS ITEM TO COME INTO CONTACT WITH PETROLEUM, PHENOL OR ALDEHYDE BASED PRODUCTS OR ANY OTHER CORROSIVE PRODUCT IN GENERAL

# COMPONENTS

PART NR.	QTY	DESCRIPTION
122-24	1	RISER TUBE: 24" / 60 CM
147	1	BALL: RISER TUBE
511	2	CLAMP: SNAP 0.746" - 0.848" DIA.
766	2	S-HOOK: 1"
767	1	CHAIN: DOUBLE LOOP #3 X 36" / 92 CM
2005	1	RISER TUBE CAP
83	9	FASTENER: SCREW PAN HD PHILLIPS #7-18 X 1/2" LG - PLASTITE THREAD
84	2	FASTENER: SCREW PAN HD PHILLIPS #8-15 X 5/8" LG
87	2	REGULATOR PART: RETAINER BLOCK - STANDARD
171	1	REGULATOR PART: ADJUSTMENT KNOB ASSEMBLY - STANDARD
187	1	REGULATOR PART: ADJUSTMENT HOUSING - STANDARD & INLINE
89	1	FASTENER: NUT HEX 5/16"-18 X 1/2" WD X 17/64" H
91	1	REGULATOR PART: SWIVEL COUPLING - STANDARD
92	1	REGULATOR PART: SHOULDER BOLT - STANDARD
97	1	REGULATOR PART: DIAPHRAGM BACKING PLATE - STANDARD
157	1	WASHER: METAL - 5/16" ID X 3/4" OD X 0.044" TH
181	1	REGULATOR PART: DIAPHRAGM 0 - 2.1 PSI
417	1	O-RING: 6.40MM ID X 10.21MM OD X 1.90MM CS
506	1	REGULATOR PART: SPRING 0.05 - 1 PSI
88-V	1	REGULATOR PART: OPENING ARM SEAT
93	1	REGULATOR PART: OPENING ARM - STANDARD W/O SEAT
2345	1	REGULATOR PART: INLET/OUTLET HOUSING - CAGE 3/4" NO FLUSH
1895	1	SPRING: RISER TUBE



301 ASSEMBLY



888 ASSEMBLY



P.O. Box 1169  
 101 Industrial Parkway  
 Middlebury, Indiana  
 46540-1169, USA  
 Tel: + 1 574.825.5849  
 Fax: + 1 574.825.7674  
 Web: www.ziggity.com