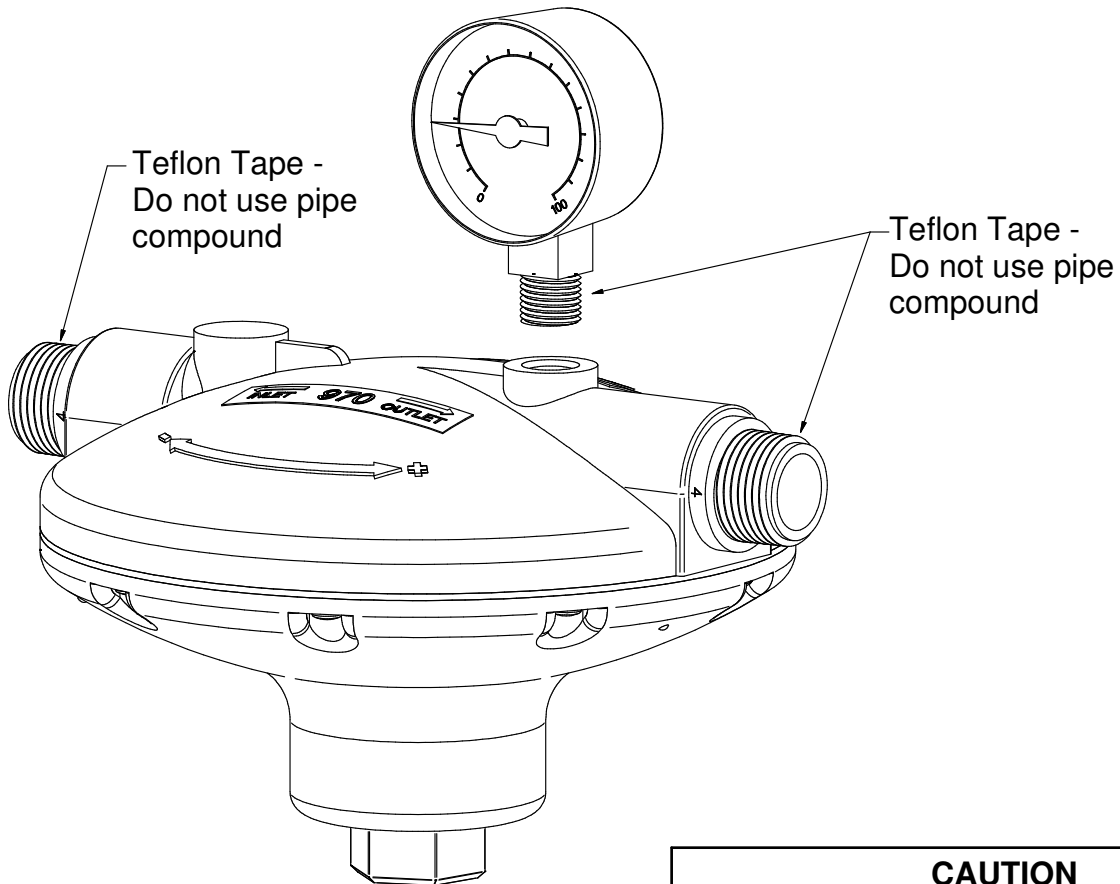
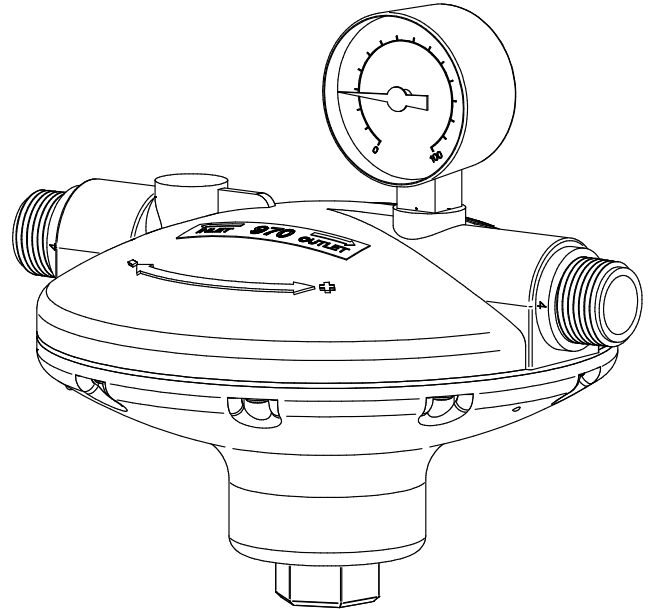


Assembly Instructions

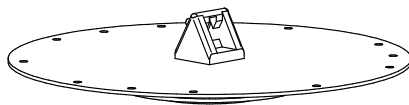
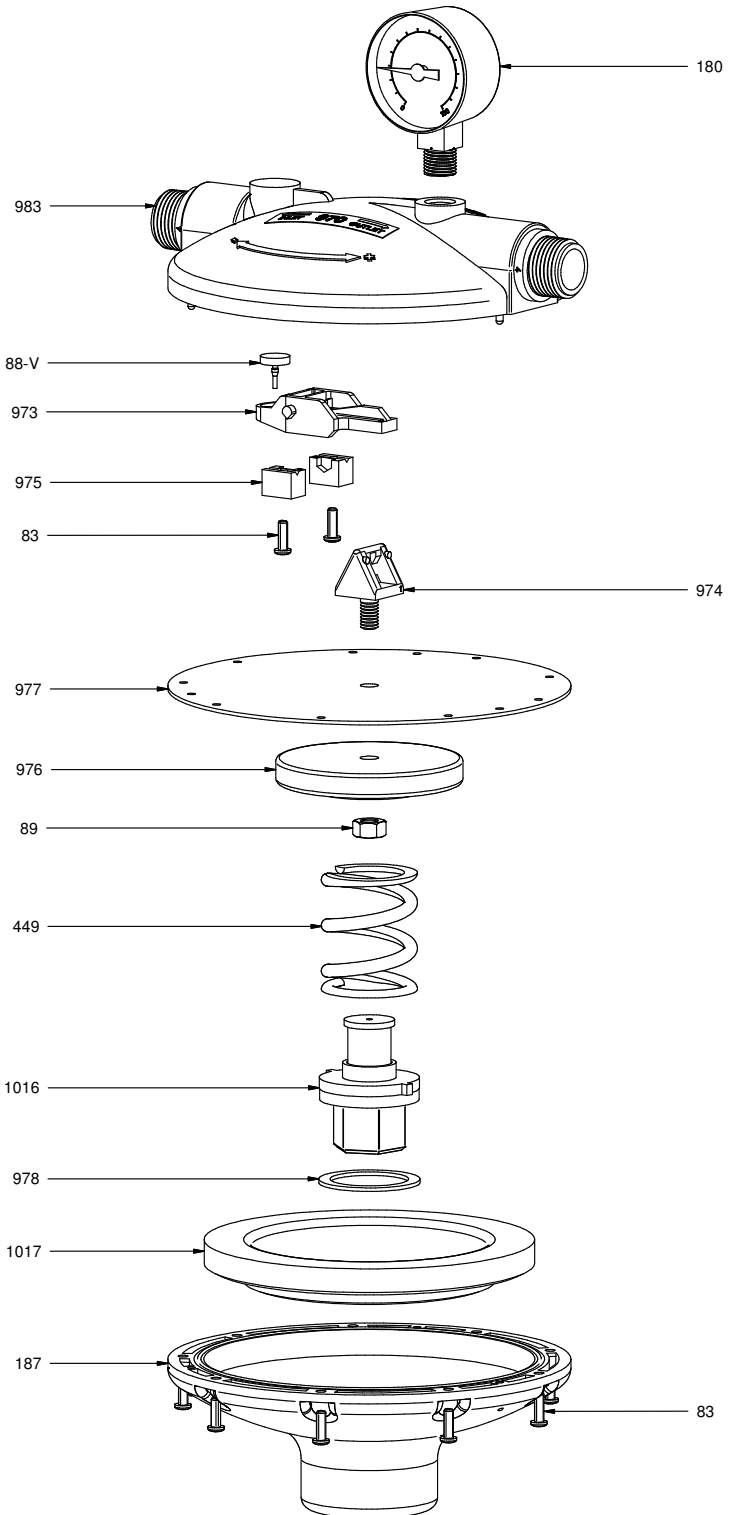


CAUTION

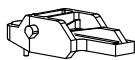
DO NOT ALLOW THIS ITEM TO COME INTO CONTACT WITH PETROLEUM, PHENOL OR ALDEHYDE BASED PRODUCTS OR ANY OTHER CORROSIVE PRODUCT IN GENERAL

COMPONENTS

PART NR.	QTY	DESCRIPTION
180	1	PRESSURE GAUGE: 0 - 100 PSI / 7 BAR
83	11	FASTENER: SCREW PAN HD PHILLIPS #7 - 18 X 1/2" LG - PLASTITE THREAD
187	1	REGULATOR PART: ADJUSTMENT HOUSING - STANDARD & INLINE
449	1	REGULATOR PART: SPRING 10 - 25 PSI
975	2	REGULATOR PART: RETAINER BLOCK - INLINE
978	1	REGULATOR PART: ANTI-FRICTION RING - INLINE
983	1	REGULATOR PART: INLET/OUTLET HOUSING - INLINE 3/4" MNPT
89	1	FASTENER: NUT HEX 5/16"-18 X 1/2" WD X 17/64" H
974	1	REGULATOR PART: SHOULDER BOLT - MINI & INLINE
976	1	REGULATOR PART: DIAPHRAGM BACKING PLATE - INLINE
977	1	REGULATOR PART: DIAPHRAGM 5 - 25 PSI - INLINE
1016	1	REGULATOR PART: ADJUSTMENT KNOB ASSEMBLY - INLINE
1017	1	REGULATOR PART: PRESSURE REDUCER RING - INLINE
88-V	1	REGULATOR PART: OPENING ARM SEAT
973	1	REGULATOR PART: OPENING ARM - INLINE W/O SEAT



984 ASSEMBLY



1198 ASSEMBLY

ZIGGITY SYSTEMS INC.

P.O. Box 1169
 101 Industrial Parkway
 Middlebury, Indiana
 46540-1169, USA
 Tel: + 1 574.825.5849
 Fax: + 1 574.825.7674
 Web: www.ziggity.com