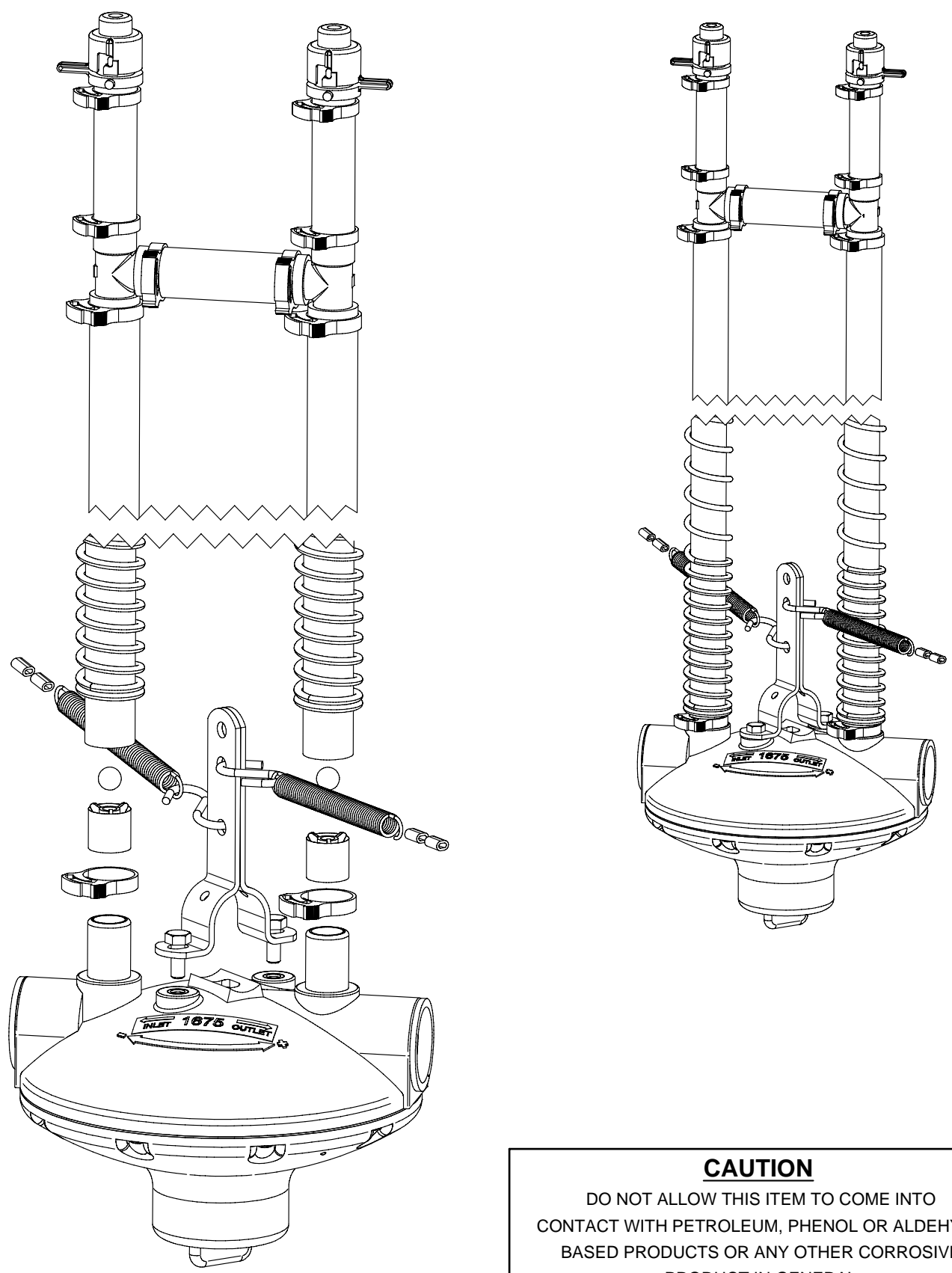


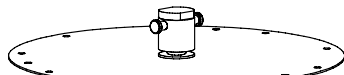
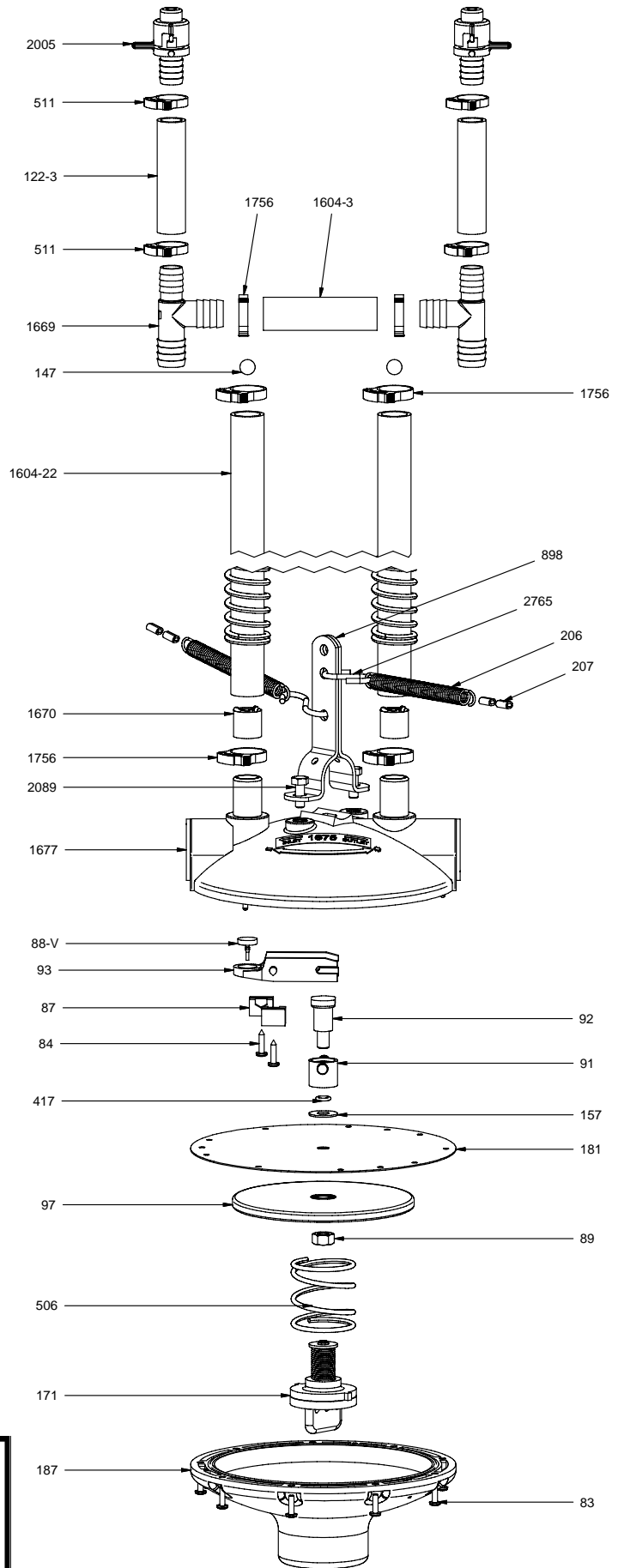
Assembly Instructions



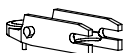
CAUTION
DO NOT ALLOW THIS ITEM TO COME INTO CONTACT WITH PETROLEUM, PHENOL OR ALDEHYDE BASED PRODUCTS OR ANY OTHER CORROSIVE PRODUCT IN GENERAL

COMPONENTS

PART NR.	QTY	DESCRIPTION
1667	2	REGULATOR PART: RISER TUBE SPRING - SLOPE REGULATOR
122-3	2	RISER TUBE: 3" / 8 CM
147	2	BALL: RISER TUBE
1604-22	2	REGULATOR PART: RISER TUBE SLOPE REGULATOR 22" / 56 CM
1604-3	1	REGULATOR PART: RISER TUBE SLOPE REGULATOR 3 7/8 CM
1669	2	REGULATOR PART: RISER TEE - SLOPE REGULATOR
1670	2	REGULATOR PART: BALL STOP - SLOPE REGULATOR
1677	1	REGULATOR PART: INLET/OUTLET HOUSING - SLOPE
171	1	REGULATOR PART: ADJUSTMENT KNOB ASSEMBLY - STANDARD
187	1	REGULATOR PART: ADJUSTMENT HOUSING - STANDARD & INLINE
157	1	WASHER: METAL - 5/16" ID X 3/4" OD X 0.044" TH
181	1	REGULATOR PART: DIAPHRAGM 0 - 2.1 PSI
417	1	O-RING: 6.40MM ID X 10.21MM OD X 1.90MM CS
89	1	FASTENER: NUT HEX 5/16"-18 X 1/2" WD X 17/64" H
91	1	REGULATOR PART: SWIVEL COUPLING - STANDARD
92	1	REGULATOR PART: SHOULDER BOLT - STANDARD
97	1	REGULATOR PART: DIAPHRAGM BACKING PLATE - STANDARD
506	1	REGULATOR PART: SPRING 0.05 - 1 PSI
83	9	FASTENER: SCREW PAN HD PHILLIPS #7 - 18 X 1/2" LG - PLASTITE THREAD
84	2	FASTENER: SCREW PAN HD PHILLIPS #8-15 X 5/8" LG
87	2	REGULATOR PART: RETAINER BLOCK - STANDARD
88-V	1	REGULATOR PART: OPENING ARM SEAT
93	1	REGULATOR PART: OPENING ARM - STANDARD W/O SEAT
1756	6	CLAMP: SNAP 0.859" - 0.989" DIA
2005	2	RISER TUBE CAP
206	2	SPRING: ANTI-ROOST
207	4	CLIP: ANTI-ROOST CABLE
2089	2	FASTENER: BOLT HEX HD M6 X 1 X 16 LG
2765	2	S-HOOK: ANTI-ROOST CABLE ANCHOR
511	4	CLAMP: SNAP 0.746" - 0.848" DIA.
898	1	CLAMP: SUPPORT PIPE TO FLOOR REGULATOR



301 ASSEMBLY



888 ASSEMBLY



P.O. Box 1169
 101 Industrial Parkway
 Middlebury, Indiana
 46540-1169, USA
 Tel: + 1 574.825.5849
 Fax: + 1 574.825.7674
 Web: www.ziggity.com