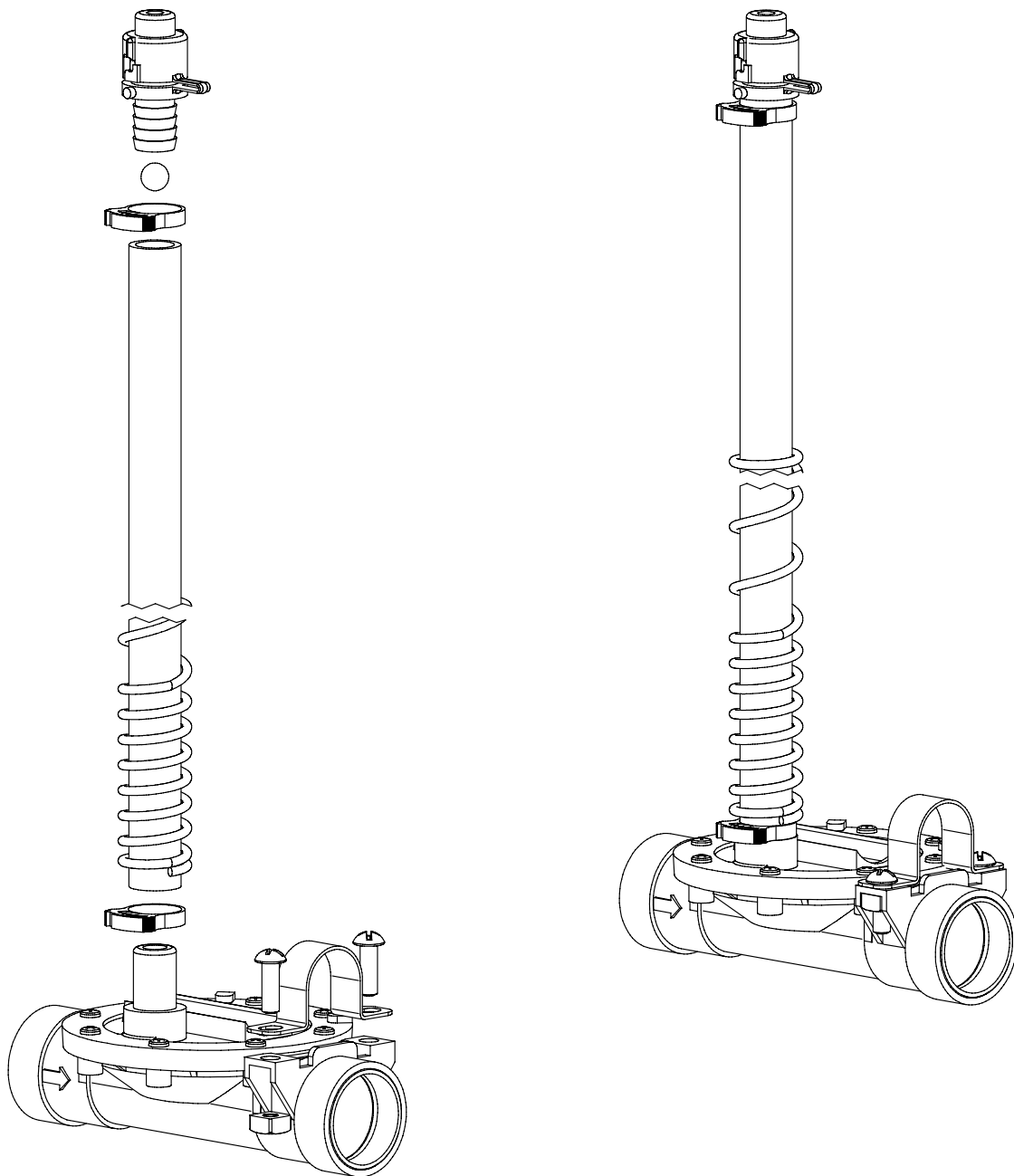


Assembly Instructions

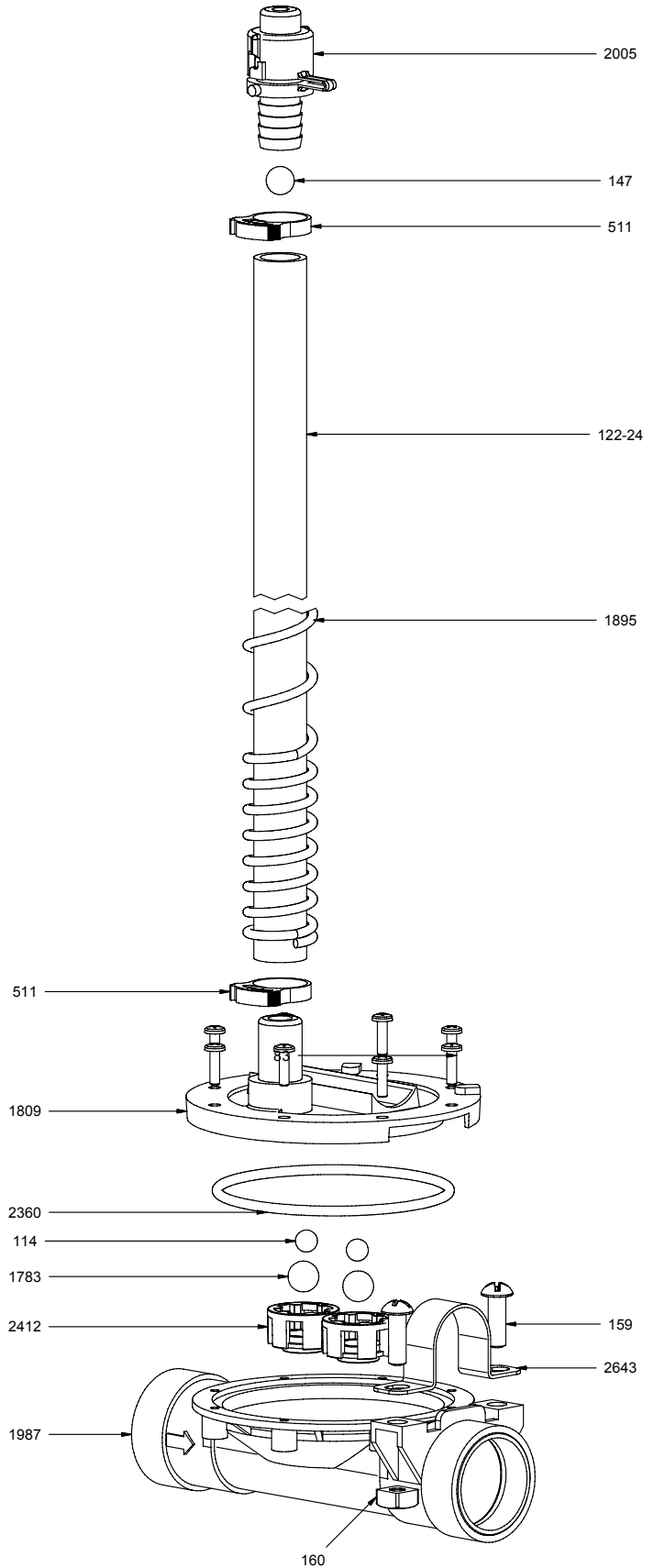
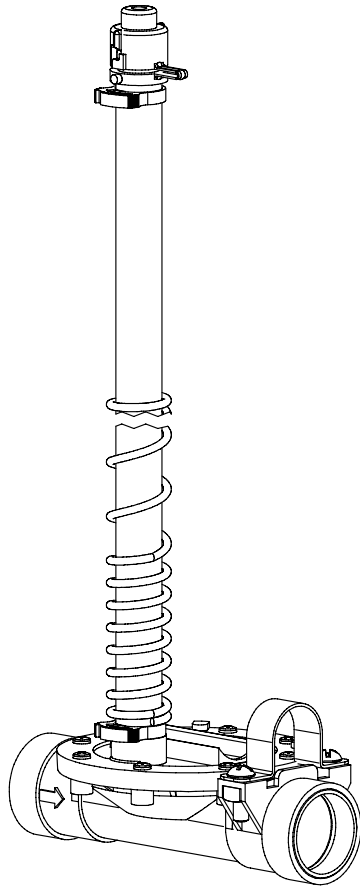


CAUTION

DO NOT ALLOW THIS ITEM TO COME INTO CONTACT WITH PETROLEUM, PHENOL OR ALDEHYDE BASED PRODUCTS OR ANY OTHER CORROSIVE PRODUCT IN GENERAL

COMPONENTS

PART NR.	QTY	DESCRIPTION
83	8	FASTENER: SCREW PAN HD PHILLIPS #7 - 18 X 1/2" LG - PLASTITE THREAD
114	2	DRINKER PART: BALL - 5/16" EPDM & SS DRINKERS
1783	2	DRINKER PART: BALL - 7/16" BIG Z
1809	1	SLOPE NEUTRALIZER PART: TOP
1987	1	SLOPE NEUTRALIZER PART: BODY
2360	1	O-RING: 3.161" ID X 3.44" OD X 0.139" CS
2412	2	SLOPE NEUTRALIZER PART: BALL RETAINER
122-24	1	RISER TUBE: 24" / 60 CM
147	1	BALL: RISER TUBE
159	2	FASTENER: SCREW PAN HD PHILLIPS 1/4" - 20 X 3/4" LG
160	2	FASTENER: NUT CROWN SQ 1/4" - 20 X 7/16" WD X 1/4" H
511	2	CLAMP: SNAP 0.746" - 0.848" DIA.
1895	1	SPRING: RISER TUBE
2005	1	RISER TUBE CAP
2643	1	CLAMP: FLOOR NEUTRALIZER MOUNT



P.O. Box 1169
 101 Industrial Parkway
 Middlebury, Indiana
 46540-1169, USA
 Tel: + 1 574.825.5849
 Fax: + 1 574.825.7674
 Web: www.ziggity.com