

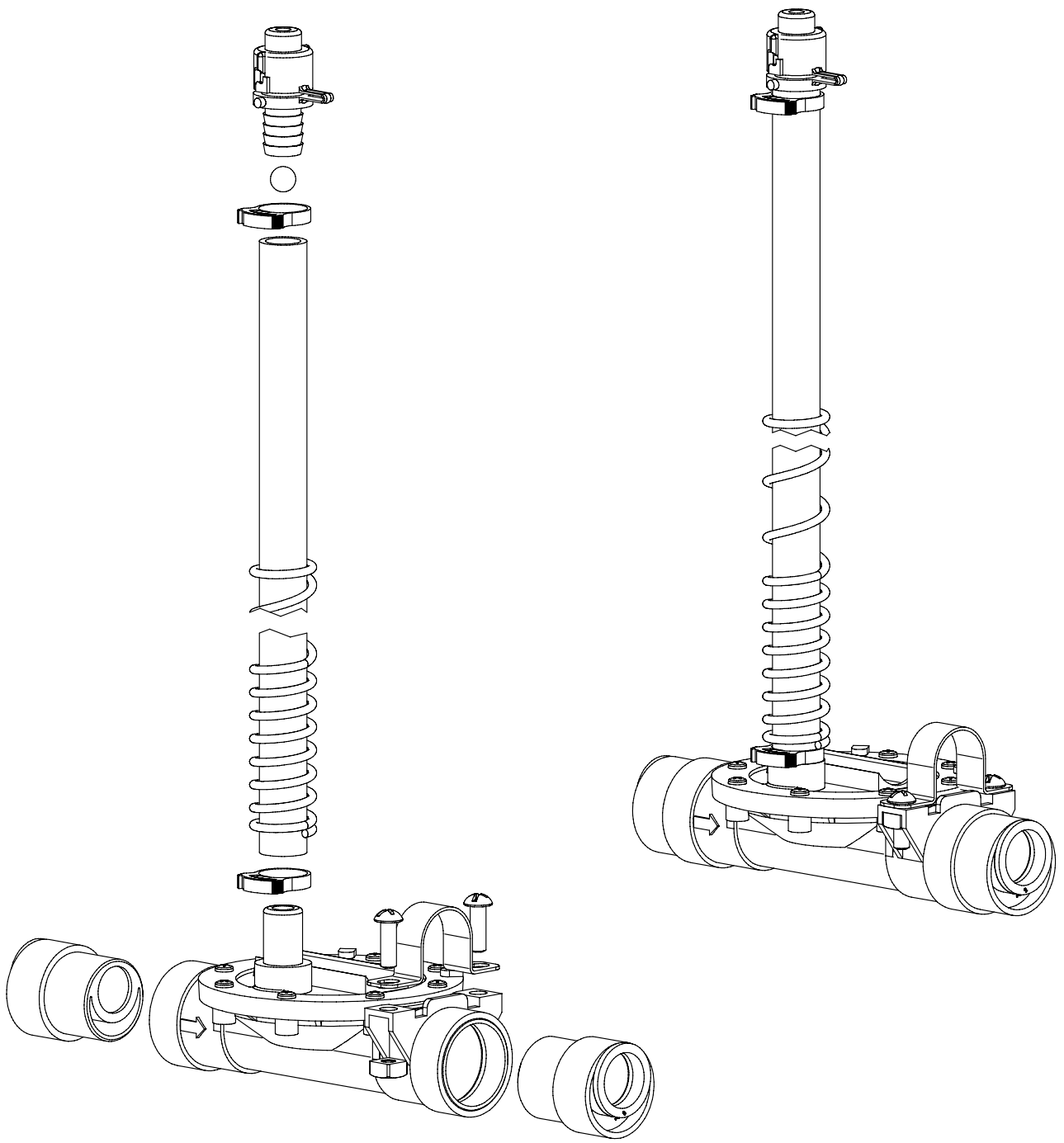


1920B-4

# Slope Neutralizer

Floor Ace  
4" / 10 cm Reduction

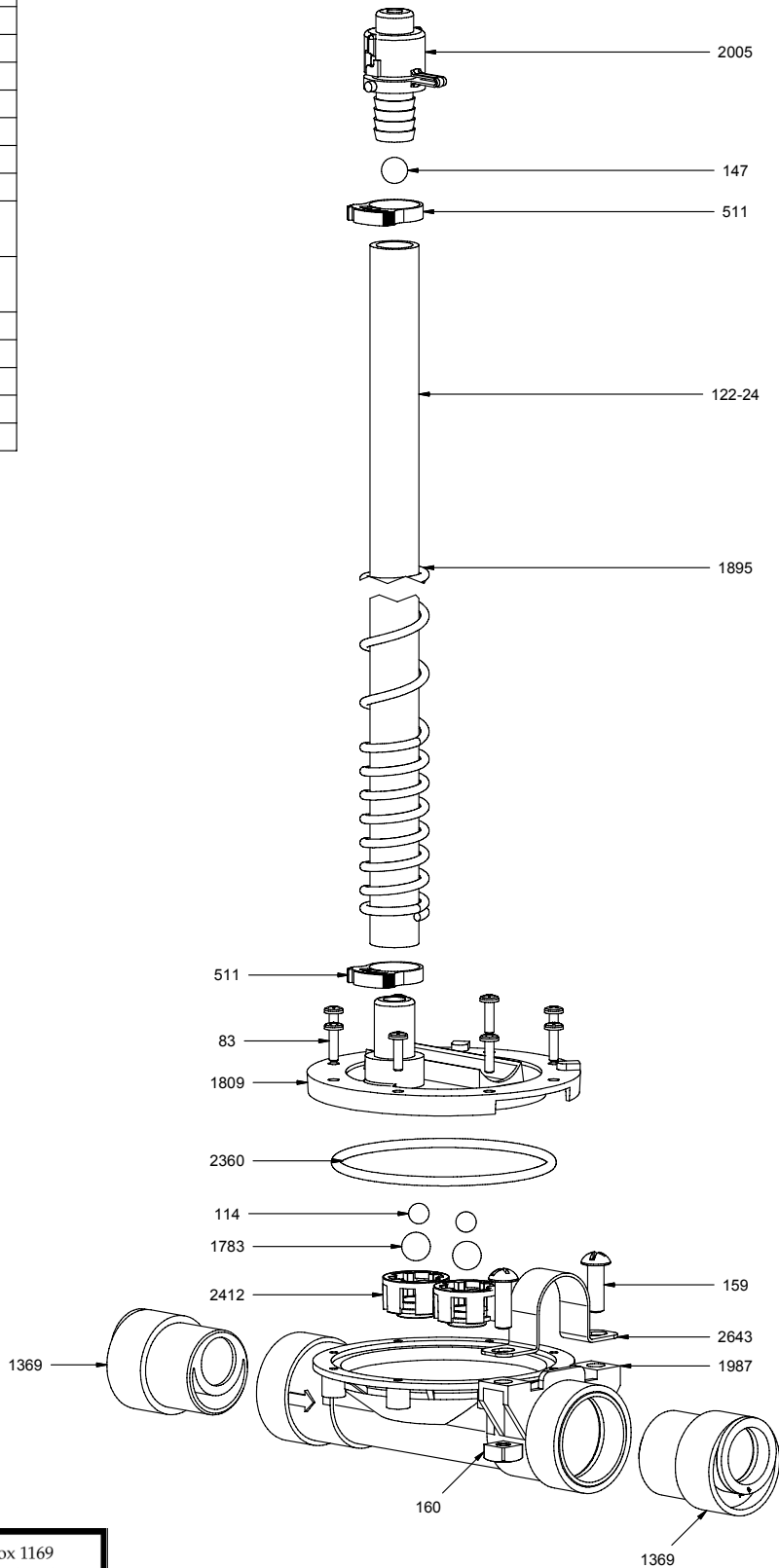
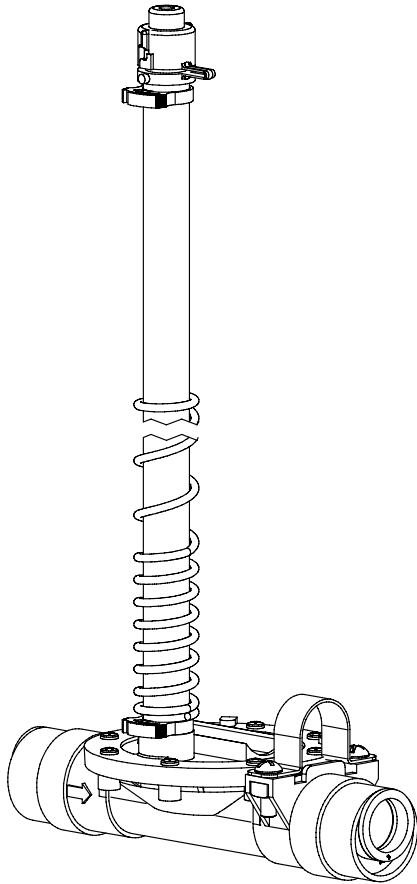
## Assembly Instructions



**CAUTION**  
DO NOT ALLOW THIS ITEM TO COME INTO CONTACT WITH PETROLEUM, PHENOL OR ALDEHYDE BASED PRODUCTS OR ANY OTHER CORROSIVE PRODUCT IN GENERAL

# COMPONENTS

PART NR.	QTY	DESCRIPTION
83	8	FASTENER: SCREW PAN HD PHILLIPS #7 - 18 X 1/2" LG - PLASTITE THREAD
114	2	DRINKER PART: BALL - 5/16" EPDM & SS DRINKERS
1783	2	DRINKER PART: BALL - 7/16" BIG Z
1809	1	SLOPE NEUTRALIZER PART: TOP
1987	1	SLOPE NEUTRALIZER PART: BODY
2360	1	O-RING: 3.161" ID X 3.44" OD X 0.139" CS
2412	2	SLOPE NEUTRALIZER PART: BALL RETAINER
122-24	1	RISER TUBE: 24" / 60 CM
147	1	BALL: RISER TUBE
159	2	FASTENER: SCREW PAN HD PHILLIPS 1/4" - 20 X 3/4" LG
160	2	FASTENER: NUT CROWN SQ 1/4" - 20 X 7/16" WD X 1/4" H
511	2	CLAMP: SNAP 0.746" - 0.848" DIA.
1369	2	ADAPTER: BIG ACE SPIGOT X ACE SLIP
1895	1	SPRING: RISER TUBE
2005	1	RISER TUBE CAP
2643	1	CLAMP: FLOOR NEUTRALIZER MOUNT



P.O. Box 1169  
 101 Industrial Parkway  
 Middlebury, Indiana  
 46540-1169, USA  
 Tel: + 1 574.825.5849  
 Fax: + 1 574.825.7674  
 Web: www.ziggity.com