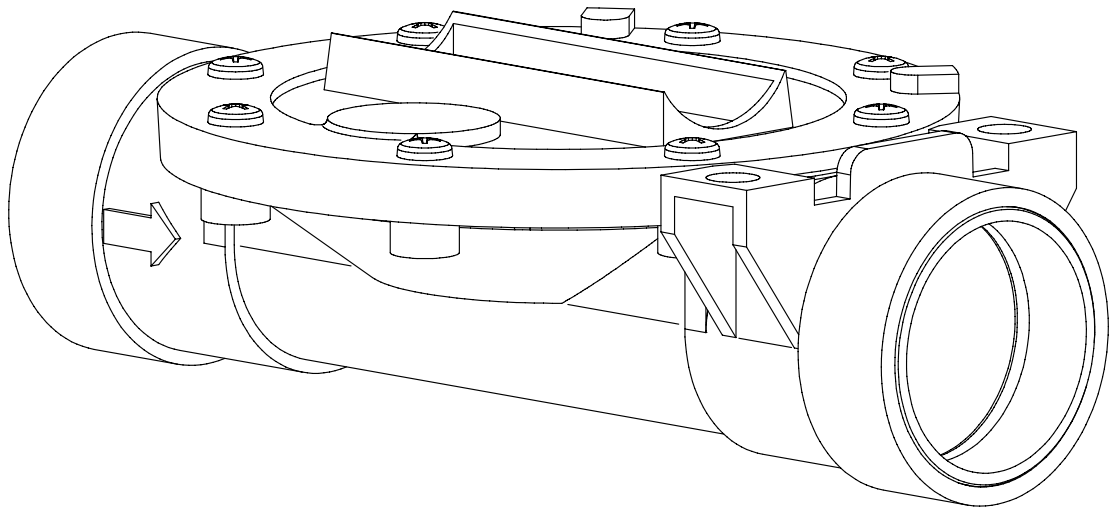




**1958-6**

**Slope Neutralizer**  
Cage Big Ace - No Riser Tube  
6" / 15 cm Reduction

**Assembly Instructions**

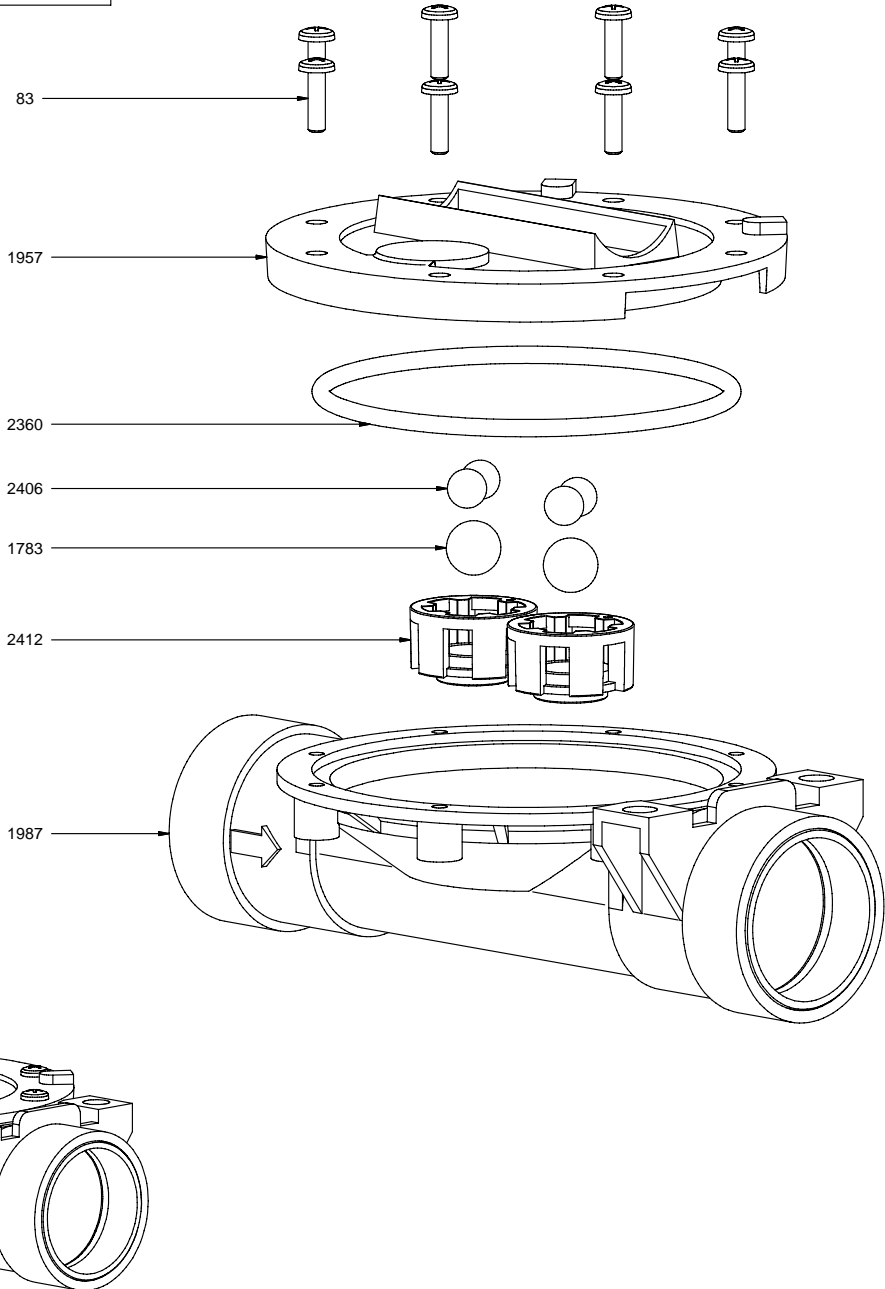


**CAUTION**

DO NOT ALLOW THIS ITEM TO COME INTO CONTACT WITH PETROLEUM, PHENOL OR ALDEHYDE BASED PRODUCTS OR ANY OTHER CORROSIVE PRODUCT IN GENERAL

# COMPONENTS

PART NR.	QTY	DESCRIPTION
83	8	FASTENER: SCREW PAN HD PHILLIPS #7 - 18 X 1/2" LG - PLASTITE THREAD
1783	2	DRINKER PART: BALL - 7/16" BIG Z
1957	1	SLOPE NEUTRALIZER PART: TOP NO RISER TUBE
1987	1	SLOPE NEUTRALIZER PART: BODY
2360	1	O-RING: 3.161" ID X 3.44" OD X 0.139" CS
2406	4	SLOPE NEUTRALIZER PART: BALL - 8.0MM
2412	2	SLOPE NEUTRALIZER PART: BALL RETAINER



**ZIGGITY** **Z** **SYSTEMS**  
**INC.**

P.O. Box 1169  
101 Industrial Parkway  
Middlebury, Indiana  
46540-1169, USA  
Tel: + 1 574.825.5849  
Fax: + 1 574.825.7674  
Web: [www.ziggity.com](http://www.ziggity.com)