

VERY IMPORTANT - INSTALLATION GUIDELINE

ALL ZIGGITY PIPES MUST BE INSTALLED IN A MANNER SHOWN IN ORDER TO ACCOMODATE PIPE EXPANSION AND CONTRACTIONS AS A RESULT OF TEMPERATURE CHANGES. FAILURE TO DO SO WILL CAUSE PIPE SNAKING AND BREAKAGE.

° AFFIX PIPE NR. 1 TO SUPPORT PIPE OR CAGE.

° INSTALL THE PIPE CONNECTOR WITH PIPE NR. 1 AND PIPE NR. 2 ALL OF THE WAY AGAINST THE STOP ON THE INSIDE OF THE PIPE CONNECTOR.

SEE FIGURE 1

° HOLD ONTO THE PIPE CONNECTOR WHILE KEEPING PIPE NR. 1 AGAINST THE PIPE CONNECTOR STOP AND PULL PIPE NR. 2 AWAY FROM THE PIPE CONNECTOR STOP APPROXIMATELY **1/4 IN OR 6 MM.**

SEE FIGURE 2

° AFFIX PIPE NR. 2 TO THE SUPPORT PIPE OR CAGE.

° REPEAT THIS PROCESS FOR ALL PIPES AND PIPE CONNECTORS.

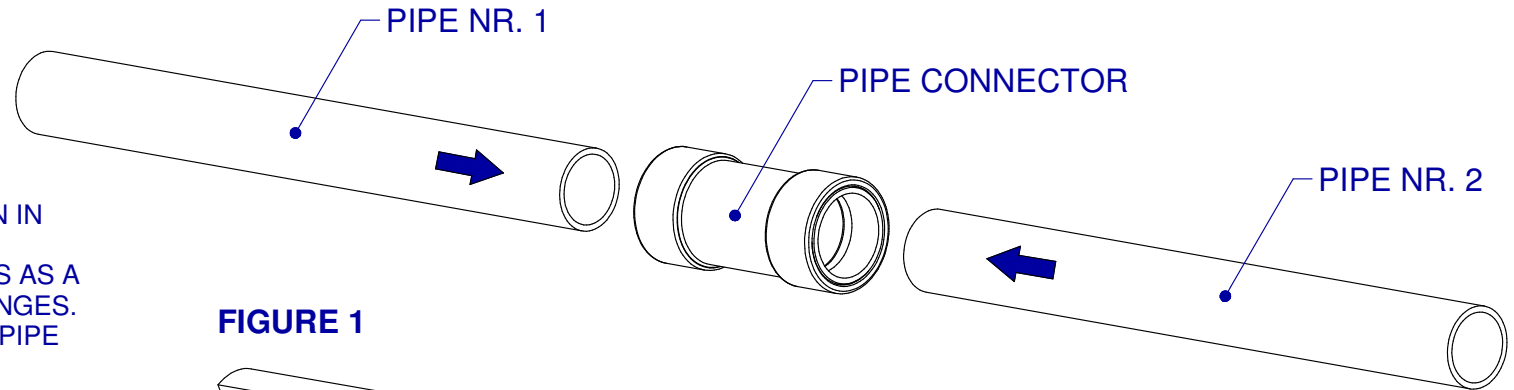


FIGURE 1

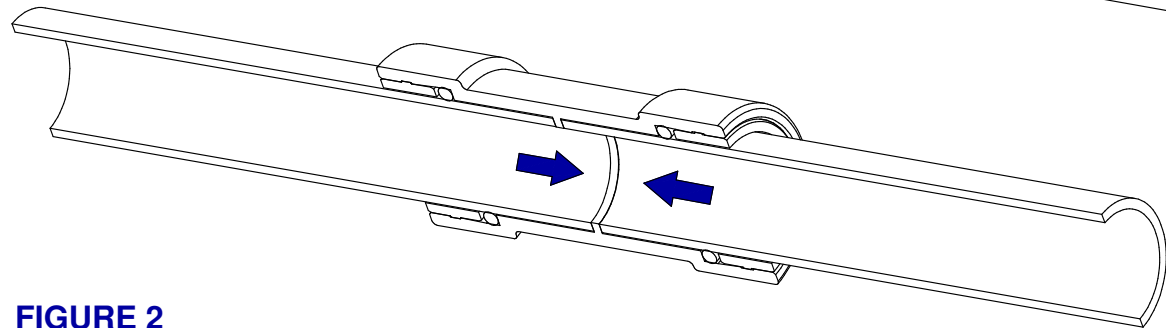


FIGURE 2

