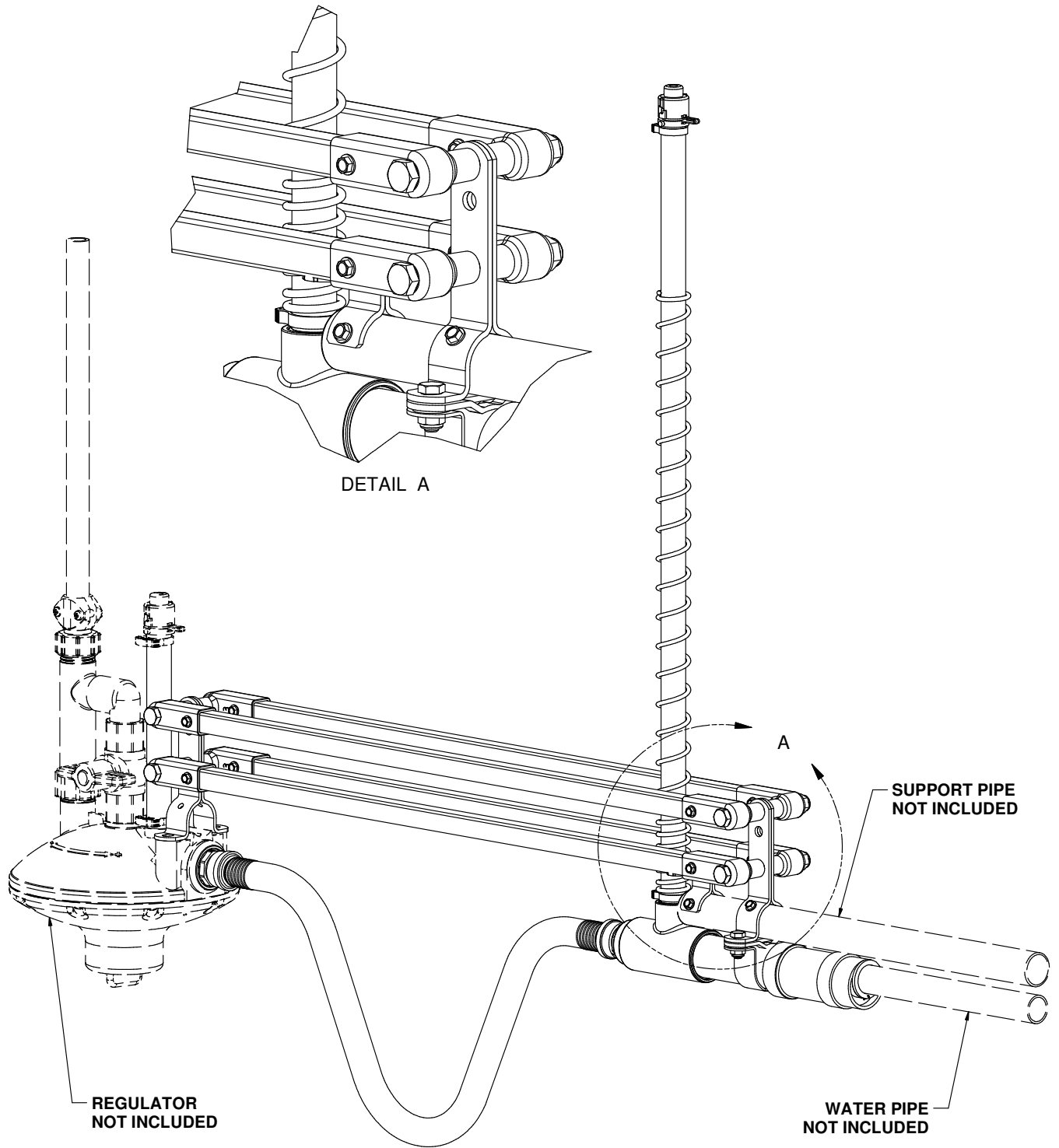


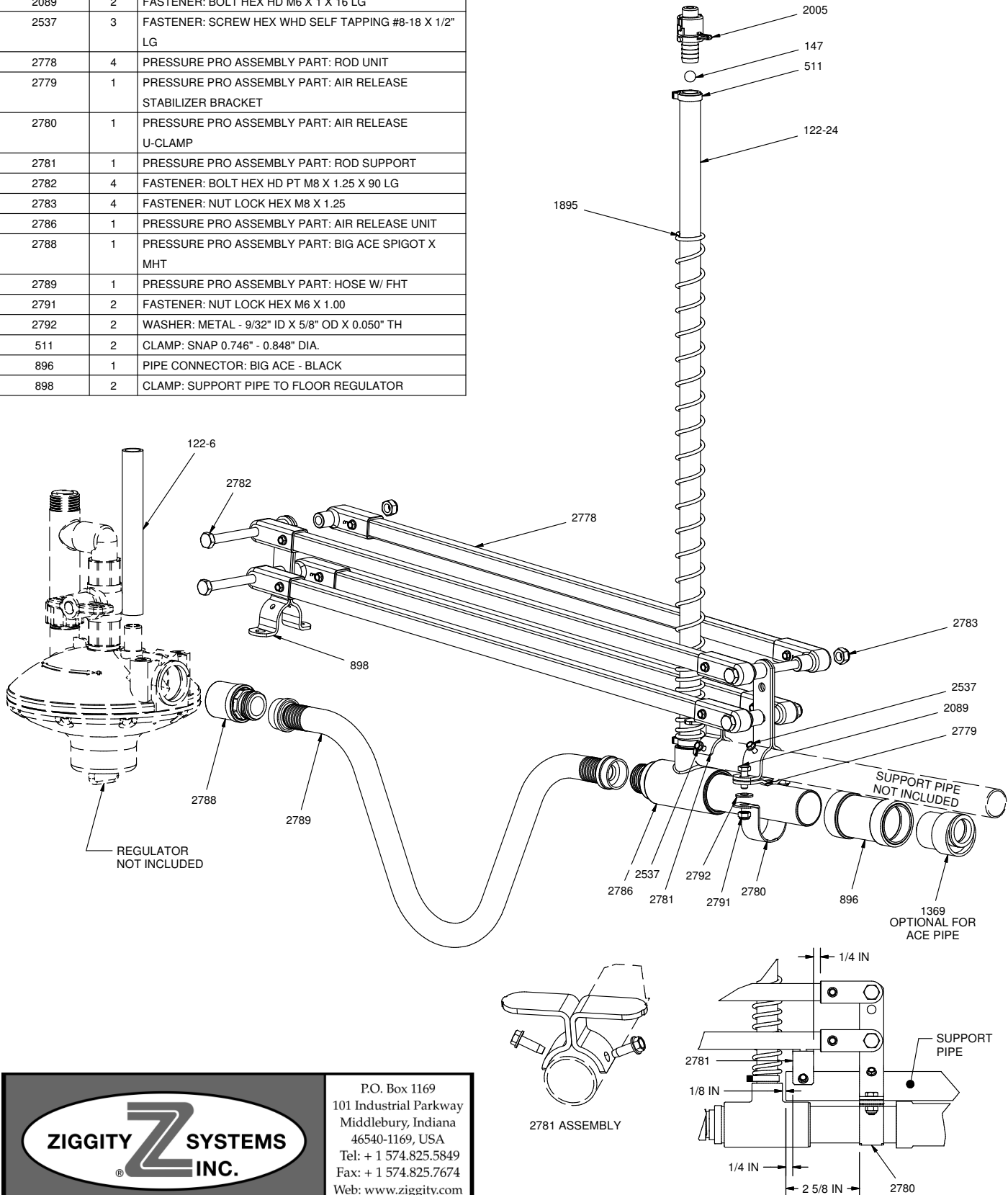
**Assembly Layout**



**CAUTION**  
DO NOT ALLOW THIS ITEM TO COME INTO CONTACT WITH PETROLEUM, PHENOL OR ALDEHYDE BASED PRODUCTS OR ANY OTHER CORROSIVE PRODUCT IN GENERAL

# COMPONENTS

| PART NR. | QTY | DESCRIPTION  |
|----------|-----|--|
| 122-24   | 1   | RISER TUBE: 24" / 60 CM                                    |
| 122-6    | 1   | RISER TUBE: 6" / 15 CM                                     |
| 1369     | 1   | ADAPTER: BIG ACE SPIGOT X ACE SLIP                         |
| 147      | 1   | BALL: RISER TUBE   |
| 1895     | 1   | SPRING: RISER TUBE   |
| 2005     | 1   | RISER TUBE CAP   |
| 2089     | 2   | FASTENER: BOLT HEX HD M6 X 1 X 16 LG                       |
| 2537     | 3   | FASTENER: SCREW HEX WHD SELF TAPPING #8-18 X 1/2" LG       |
| 2778     | 4   | PRESSURE PRO ASSEMBLY PART: ROD UNIT                       |
| 2779     | 1   | PRESSURE PRO ASSEMBLY PART: AIR RELEASE STABILIZER BRACKET |
| 2780     | 1   | PRESSURE PRO ASSEMBLY PART: AIR RELEASE U-CLAMP            |
| 2781     | 1   | PRESSURE PRO ASSEMBLY PART: ROD SUPPORT                    |
| 2782     | 4   | FASTENER: BOLT HEX HD PT M8 X 1.25 X 90 LG                 |
| 2783     | 4   | FASTENER: NUT LOCK HEX M8 X 1.25                           |
| 2786     | 1   | PRESSURE PRO ASSEMBLY PART: AIR RELEASE UNIT               |
| 2788     | 1   | PRESSURE PRO ASSEMBLY PART: BIG ACE SPIGOT X MHT           |
| 2789     | 1   | PRESSURE PRO ASSEMBLY PART: HOSE W/ FHT                    |
| 2791     | 2   | FASTENER: NUT LOCK HEX M6 X 1.00                           |
| 2792     | 2   | WASHER: METAL - 9/32" ID X 5/8" OD X 0.050" TH             |
| 511      | 2   | CLAMP: SNAP 0.746" - 0.848" DIA.                           |
| 896      | 1   | PIPE CONNECTOR: BIG ACE - BLACK                            |
| 898      | 2   | CLAMP: SUPPORT PIPE TO FLOOR REGULATOR                     |



P.O. Box 1169  
 101 Industrial Parkway  
 Middlebury, Indiana  
 46540-1169, USA  
 Tel: + 1 574.825.5849  
 Fax: + 1 574.825.7674  
 Web: www.ziggity.com