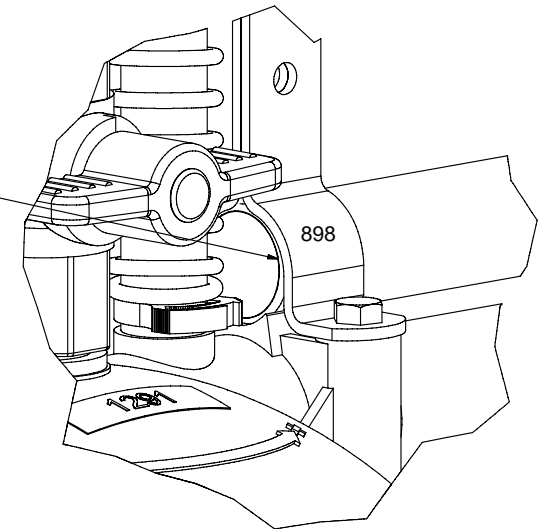


SUPPORT PIPE MUST BE FLUSH WITH BACK EDGE OF (PT. NR. 898) SUPPORT PIPE CLAMP



DETAIL A



REGULATOR/BIG ACE & BIG Z
INTERFACE

PART NR.:

DATE: 04-11-01

REVISION: 1

GL1001