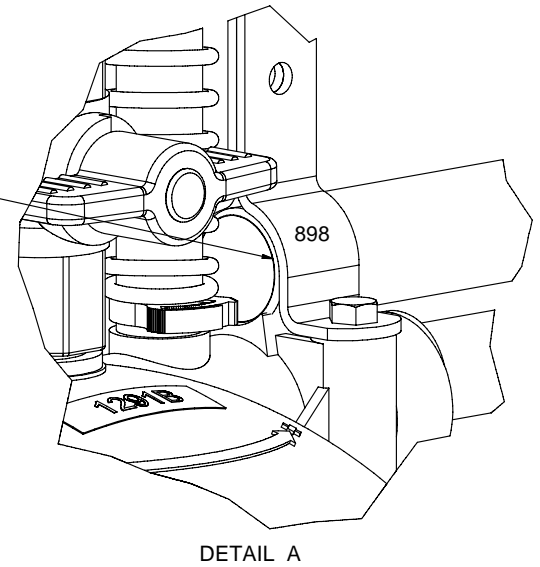


SUPPORT PIPE MUST BE FLUSH
WITH BACK EDGE OF (PT. NR. 898)
SUPPORT PIPE CLAMP



REGULATOR/ACE PIPE INTERFACE

PART NR.:

DATE: 05-02-01

REVISION: 1

GL1003