

NOTES:

IMPORTANT - PLEASE READ AND KEEP IN MIND THE FOLLOWING: IF, FOR ANY REASON, YOU ARE NOT SURE WHICH CLIP-ON BRACKET IS REQUIRED PLEASE CONTACT ZIGGITY.

1.) CLIP-ON BRACKETS WITH PT. NRS. 1121 & 1123 FIT:

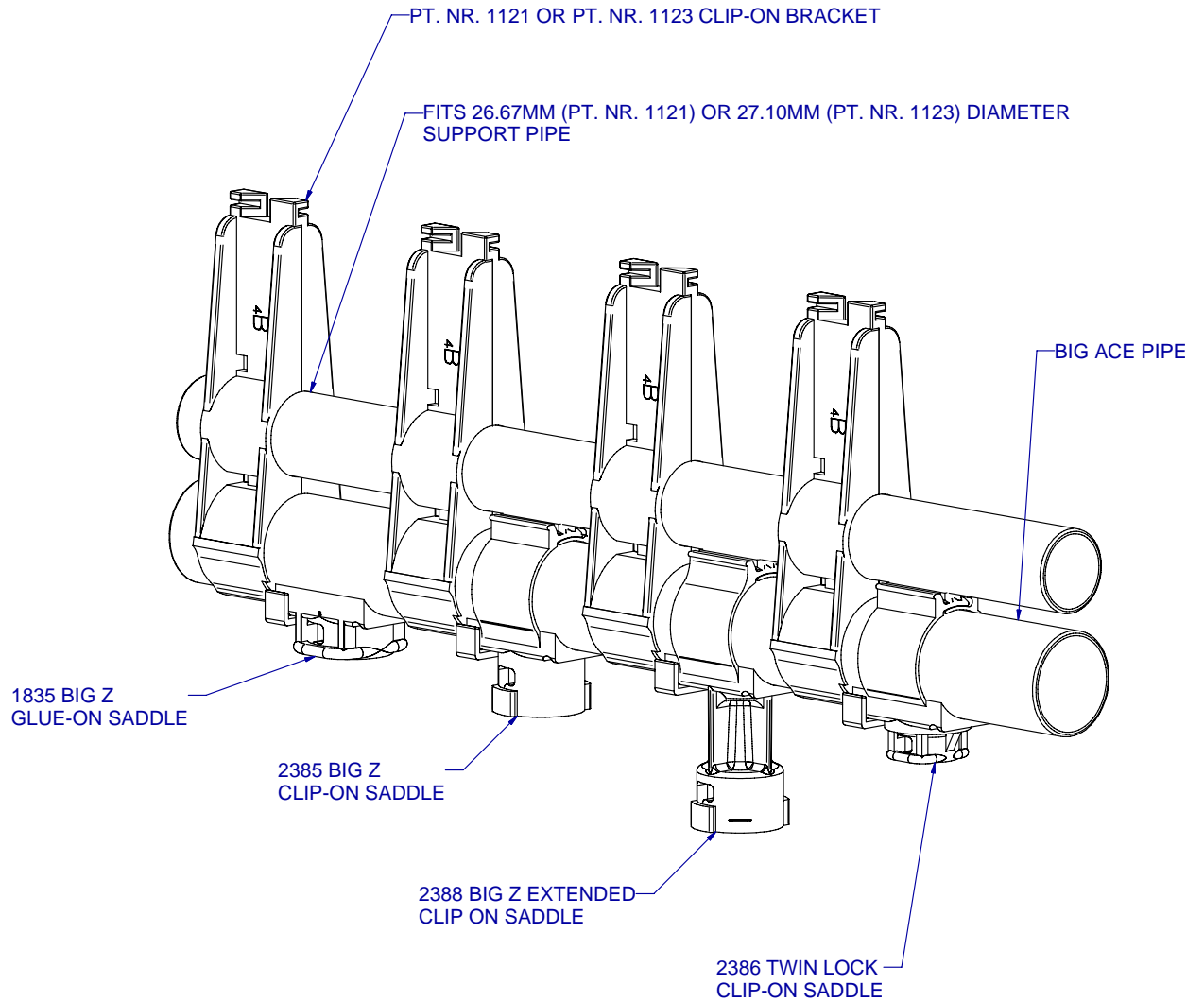
- ZIGGITY MANUFACTURED BIG Z PIPE UNITS WITH BIG Z SADDLES.
- BIG ACE SIZED PIPE (33.33 MM O.D.) WITH ANY VERSION OF THE CLIP-ON SADDLE WITH GROMMET. PART NUMBERS: 2385, 2386 & 2388.
- BIG ACE SIZED PIPE (33.33 MM O.D.) WITH GLUE-ON BIG Z SADDLE (PT. NR. 1835)

2.) PT. NR. 1121 & PT. NR. 1123 CLIP-ON BRACKETS DO NOT FIT ON:

- ZIGGITY MANUFACTURED BIG ACE PIPE UNITS WITH TWIN LOCK (T/L) OR SINGLE LOCK (S/L) SADDLES.
- ANY AND ALL PIPES WITH GLUE-ON T/L (PT. NR. 1829) OR S/L SADDLES (PT. NR. 1924)

3.) SELECT EITHER PT. NR. 1121 AND PT. NR. 1123 BASED ON THE OUTSIDE DIAMETER (O.D.) OF THE SUPPORT PIPE:

- PT. NR. 1121 FITS SUPPORT PIPE WITH AN O.D. OF 26.67MM(+/-0.13MM) OR 1.050 INCHES(+/-0.005)
- PT. NR. 1123 FITS SUPPORT PIPE WITH AN O.D. OF 27.10MM(+/-0.20MM) OR 1.067 INCHES(+/-0.007)



COMPATIBILITY: CLIP-ON BRACKETS TO BIG Z AND CLIP-ON SADDLES	
DATE: 8-3-01	REVISION: 5

PART NR.:
GL1007