

NOTES:

DATE CODES FOR THE YEAR AND QUARTER OF THE YEAR WHEN THE DRINKER WAS MANUFACTURED CAN BE FOUND ON THE DRINKER BODY. WE RECOMMEND A BRUSH FOR CLEANING DATE CODE AREA AND A MAGNIFYING GLASS. PLEASE NOTE THE FOLLOWING:

1. QUARTERS OF THE YEAR ARE CODED AS FOLLOWS:

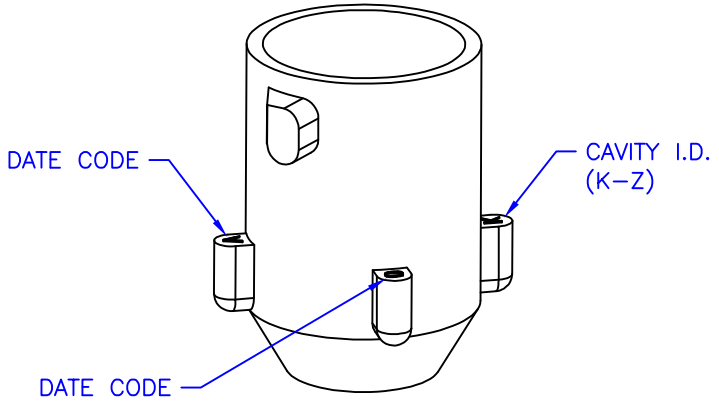
- A - JANUARY, FEBRUARY & MARCH
- B - APRIL, MAY & JUNE
- C - JULY, AUGUST & SEPTEMBER
- D - OCTOBER, NOVEMBER & DECEMBER

2. YEARS ARE CODED AS FOLLOWS:

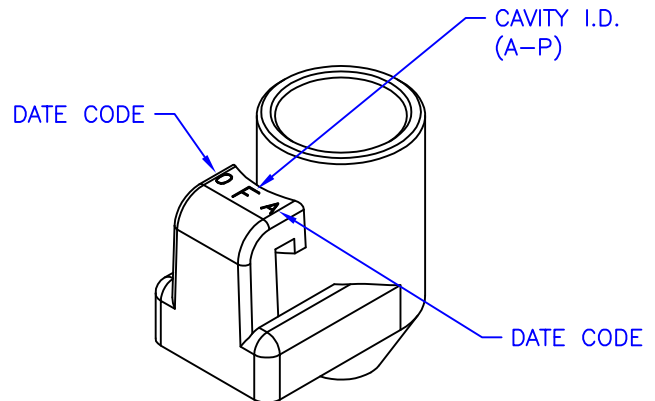
- 0 - FOR THE YEAR 1990 OR 2000
- 1 - FOR THE YEAR 1991 OR 2001
- 2 - FOR THE YEAR 1992 OR 2002
- 3 - FOR THE YEAR 1993 OR 2003
- 4 - FOR THE YEAR 1994 OR 2004
- 5 - FOR THE YEAR 1995 OR 2005
- 6 - FOR THE YEAR 1996 OR 2006
- 7 - FOR THE YEAR 1997 OR 2007
- 8 - FOR THE YEAR 1998 OR 2008
- 9 - FOR THE YEAR 1999 OR 2009

3. PLEASE NOTE THE FOLLOWING:

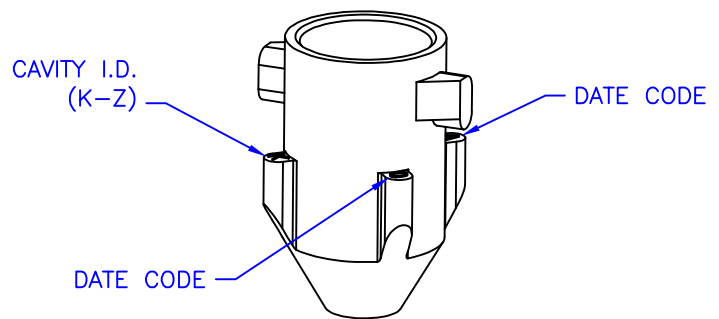
QUARTER AND YEAR DATE CODES ARE NOT ALWAYS IN THE SAME LOCATION. THEY CAN BE SWITCHED, HOWEVER THEY ARE ALWAYS 1, 2, 3, 4, ETC., FOR YEARS AND A B C & D FOR QUARTER OF THE YEAR. ON T/L AND BIG Z BODIES THE MOLD CAVITY IDENTIFICATION IS WITH LETTERS FROM K - Z ON S/L BODIES THE MOLD CAVITY IDENTIFICATION IS ALWAYS IN THE MIDDLE BETWEEN THE YEAR AND QUARTER CODES.



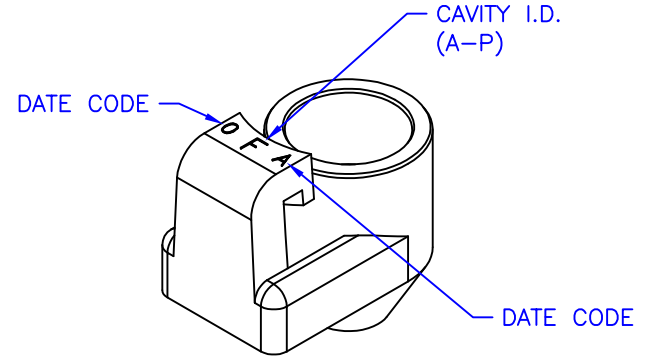
1482 BIG Z BODY



1451 S/L BODY



1315 T/L BODY



38 S/L EPDM BODY
1801 S/L AKTIVE BODY



DRINKER MANUFACTURING DATE CODES		PART NR.:
DATE: 8-16-01	REVISION: 1	GL1009