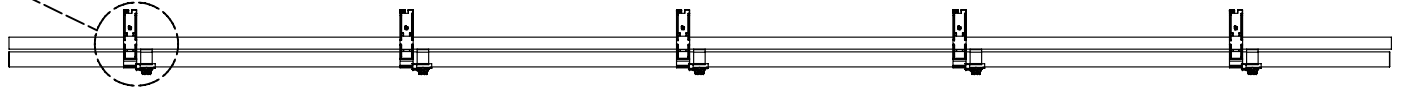
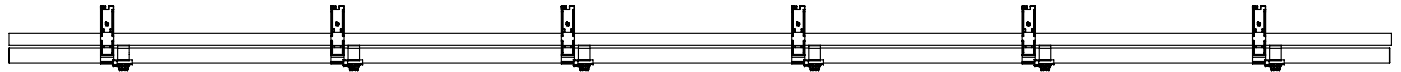


CLIP-ON BRACKET
OVERLAPS ONTO
DRINKER SADDLE

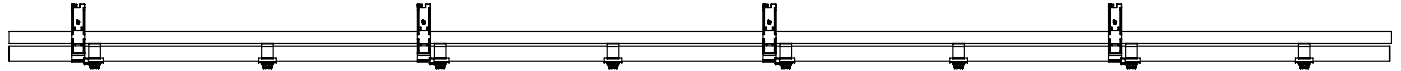
5 SADDLES



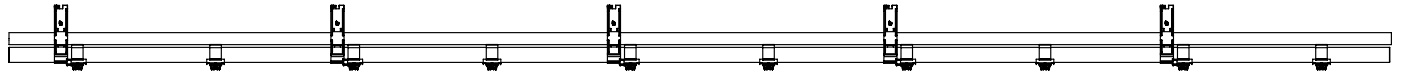
6 SADDLES



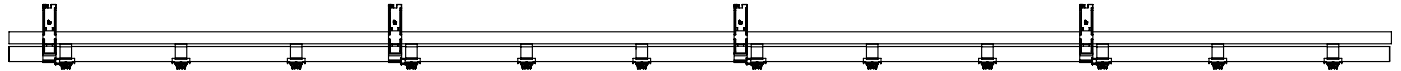
8 SADDLES



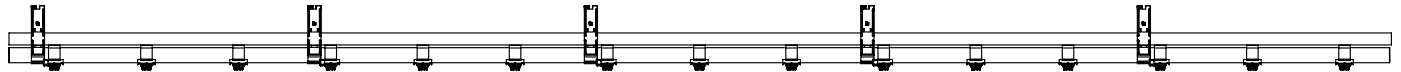
10 SADDLES



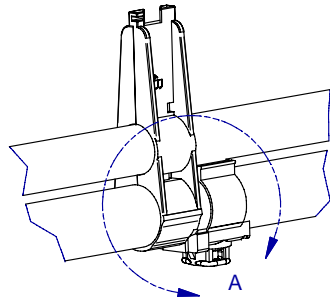
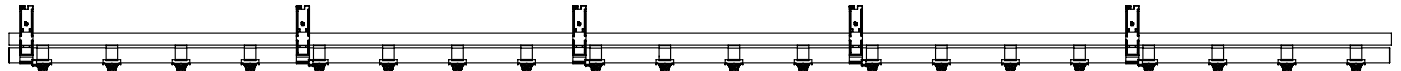
12 SADDLES



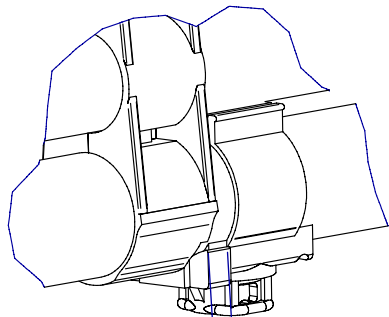
15 SADDLES



20 SADDLES



A



5/16" [7.94mm]

DETAIL A



CLIP-ON BRACKET PLACEMENT
FOR 3 M/10 FT PIPE

DATE: 9-5-01

REVISION: 2

PART NR.:

GL1010