

NOTES:  
 PARTS REQUIRED PER 4"/10 cm NEUTRALIZER  
 2 X PT NR. 114  
 2 X PT NR. 2412

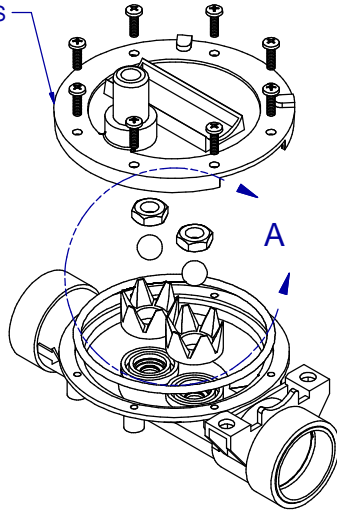
# 4"/10 cm NEUTRALIZER UPGRADE

SCALE:

## 4 SIMPLE STEPS

### STEP 1

REMOVE SCREWS  
 AND LIFT CAP

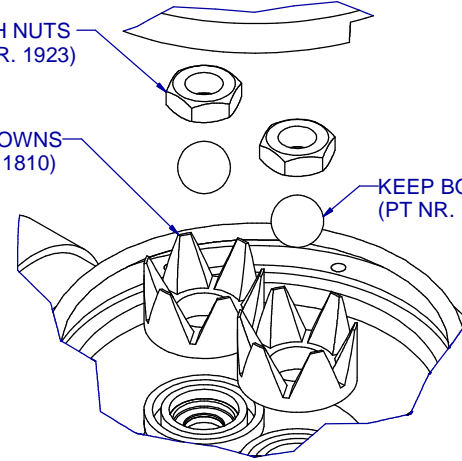


### STEP 2

REMOVE BOTH NUTS  
 (PT NR. 1923)

REMOVE BOTH CROWNS  
 (PT NR. 1810)

KEEP BOTH 7/16" BALLS  
 (PT NR. 1783)



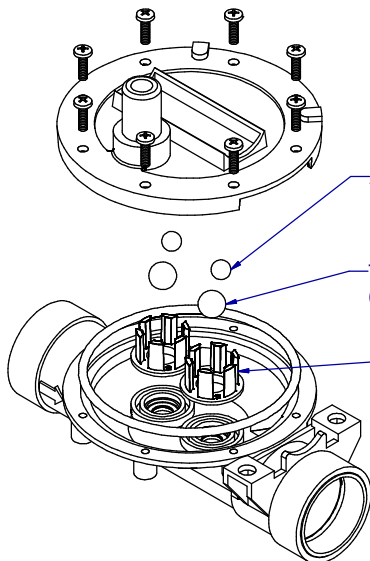
DETAIL A

### STEP 3

ADD 2 NEW 5/16" BALLS  
 1 NEW BALL IN EACH RETAINER  
 (PT NR. 114)

7/16" BALLS  
 (PT NR. 1783)

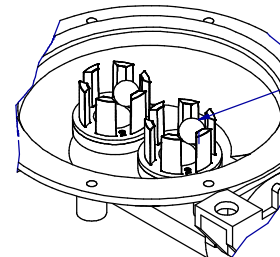
ADD 2 NEW RETAINERS  
 (PT NR. 2412)



### STEP 4

MAKE CERTAIN O-RING  
 IS IN THE CORRECT  
 POSITION AND  
 PLACE CAP BACK ON  
 NEUTRALIZER BODY  
 AND TIGHTEN SCREWS.

SMALLER BALL  
 MUST BE ON TOP  
 OF LARGER BALL



DETAIL B



UPGRADE: 4" SLOPE NEUTRALIZER  
 RETAINERS AND SS BALLS

PART NR.:

DATE: 05-28-02

REVISION:

GL1013