

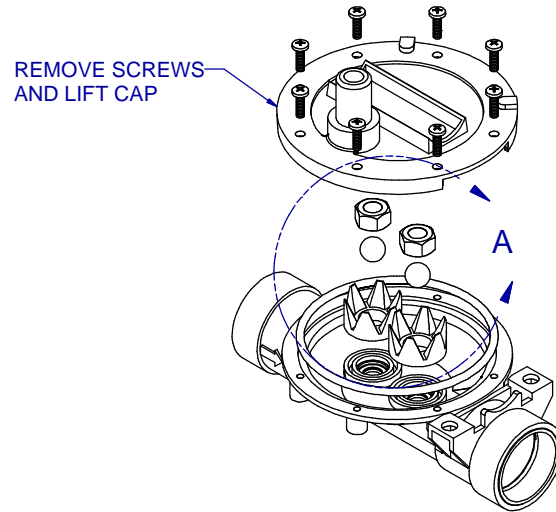
NOTES:
PARTS REQUIRED PER 6"/15 cm NEUTRALIZER
4 X PT NR. 2406
2 X PT NR. 2412

6"/15 cm NEUTRALIZER UPGRADE

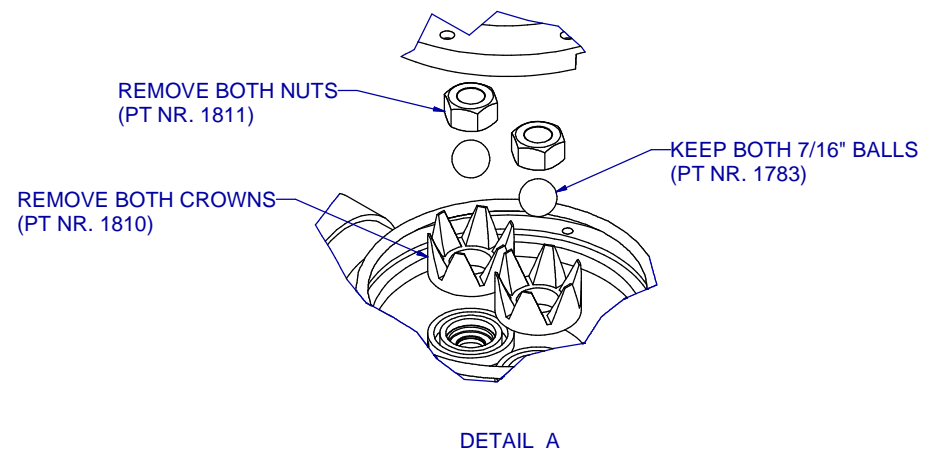
SCALE:

4 SIMPLE STEPS

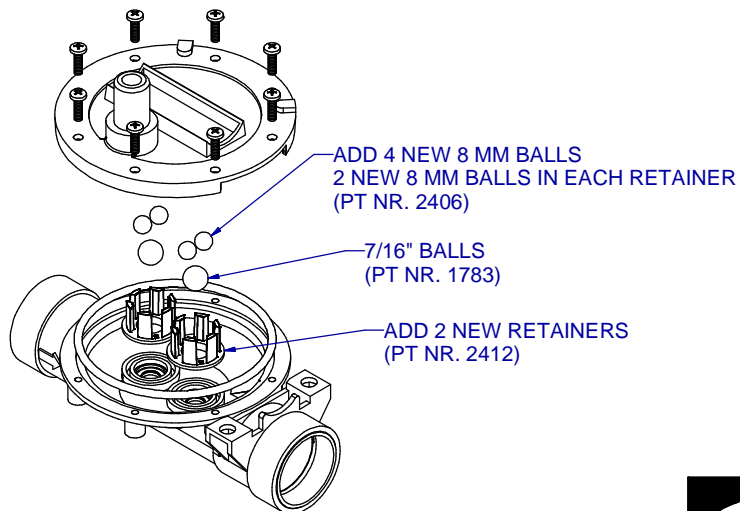
STEP 1



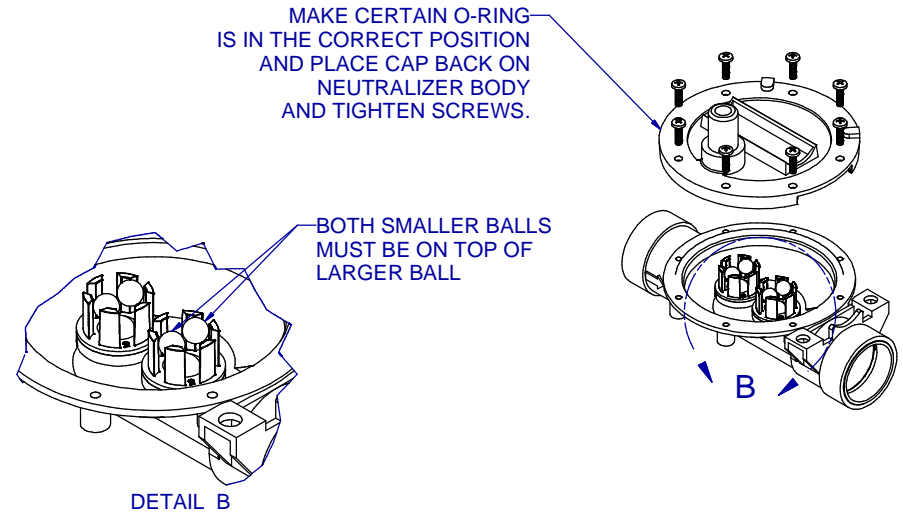
STEP 2



STEP 3



STEP 4



UPGRADE: 6" SLOPE NEUTRALIZER
RETAINERS AND SS BALLS

PART NR.:

DATE: 05-28-02

REVISION:

GL1014