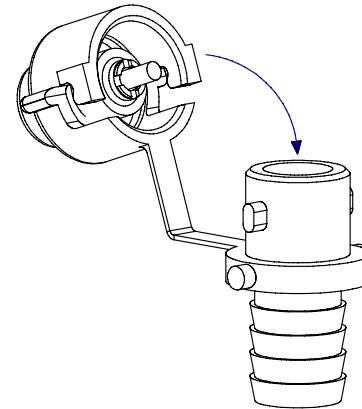
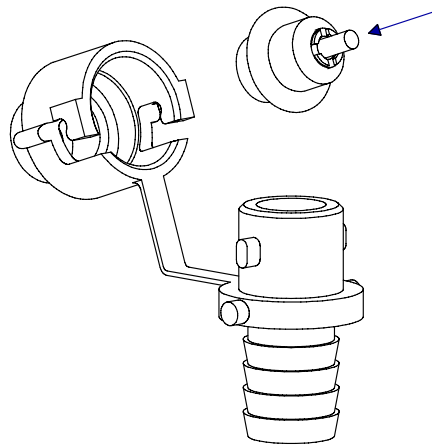
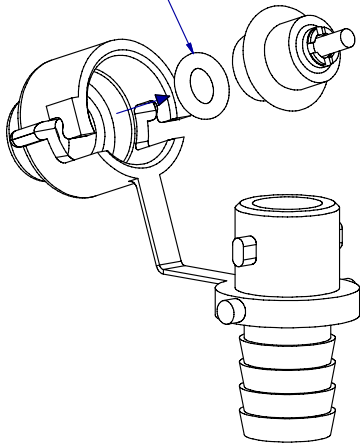


REMOVE O-RING



RISER TUBE CAP IMPROVEMENT
USED BETWEEN 1999 AND 2002

DATE: 11-26-02

REVISION: 1

PART NR.:

GL1018