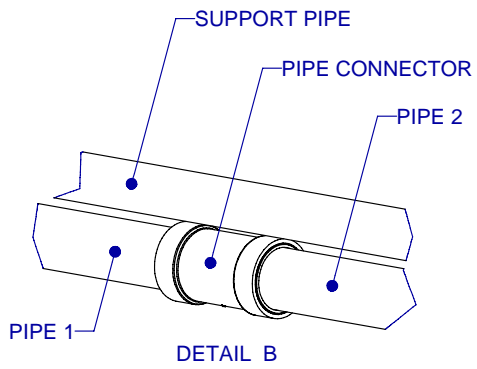


PUSH PIPE CONNECTOR FULLY ONTO PIPE 1



INSTALL PIPE 2 FULLY INTO THE PIPE CONNECTOR

- 1.) PULL PIPE CONNECTOR AWAY FROM PIPE 1 1/4"[6 mm].
- 2.) WHILE HOLDING ONTO THE PIPE CONNECTOR, PULL PIPE 2 1/4"[6 mm] AWAY FROM CONNECTOR.
- 3.) CONTINUE THIS PROCESS TO THE END OF THE LINE.

