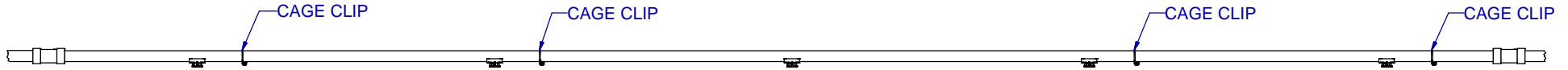


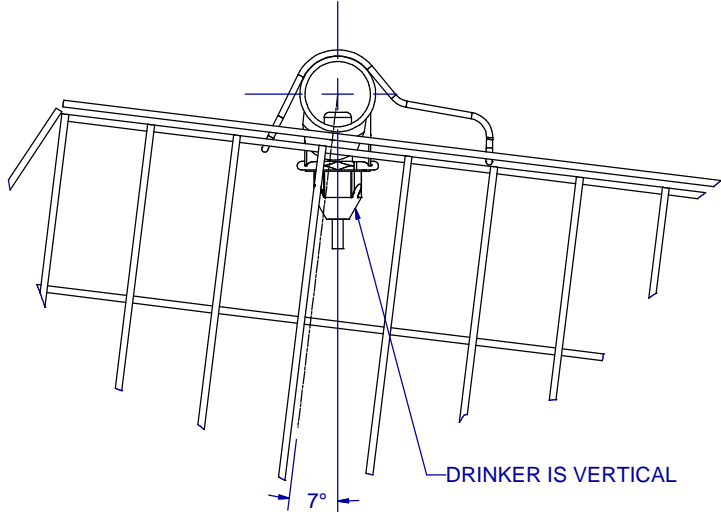
BOX 1
CAGE PIPE INSTALLATION

- 1.) POSITION CAGE PIPE WITH THE DRINKERS STRAIGHT DOWN (SEE BOX 2 BELOW)
- 2.) DO NOT INSTALL PIPE WITH THE SADDLE GROOVE OVER THE CAGE TOP WIRES
- 3.) INSTALL ALL BUT ONE OF THE CAGE CLIPS - LEAVE THE CENTER OR NEAR CENTER CAGE CLIP UNINSTALLED
- 4.) INSTALL ENTIRE CAGE ROW IN A SIMILAR MANNER MAKING SURE DRINKERS SADDLES ARE STRAIGHT DOWN

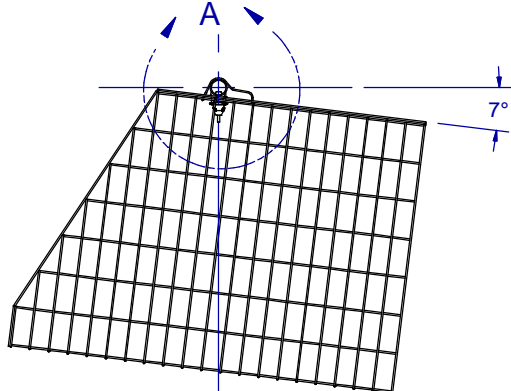


BOX 2
PLEASE NOTE - VERY IMPORTANT!

- 1.) DRINKER SADDLE AND DRINKER POSITION IS TO BE VERTICAL OR STRAIGHT DOWN
- 2.) DRINKER SADDLE POSITION - FLAT SURFACE OF DRINKER SADDLE **MUST NOT** BE PARALLEL WITH CAGE TOP WIRE
- 3.) DRINKER SADDLE IS TO BE INSTALLED BETWEEN CAGE TOP WIRES (SEE ILLUSTRATION A) ONLY PIPE SUPPORT WIRES WITH OFFSET LEGS ALLOW FOR DRINKER SADDLE TO BE POSITIONED ON A WIRE



DETAIL A



BOX 3
PIPE STABILIZER INSTALLATION

- 1.) AGAIN MAKE CERTAIN THE PIPE SADDLES AND DRINKERS ARE IN THE RIGHT POSITION (NOTE BOX 2)
- 2.) APPLY GLUE TO THE SURFACE OF THE PIPE STABILIZER AS SHOWN BELOW
- 3.) LIFT THE CAGE PIPE AND POSITION THE PIPE STABILIZER WHERE THE REMAINING CAGE CLIP IS TO BE INSTALLED
- 4.) LET THE PIPE BACK DOWN OVER THE PIPE STABILIZER AND INSTALL CAGE CLIP
- 5.) REPEAT THIS PROCESS FOR THE ENTIRE INSTALLATION

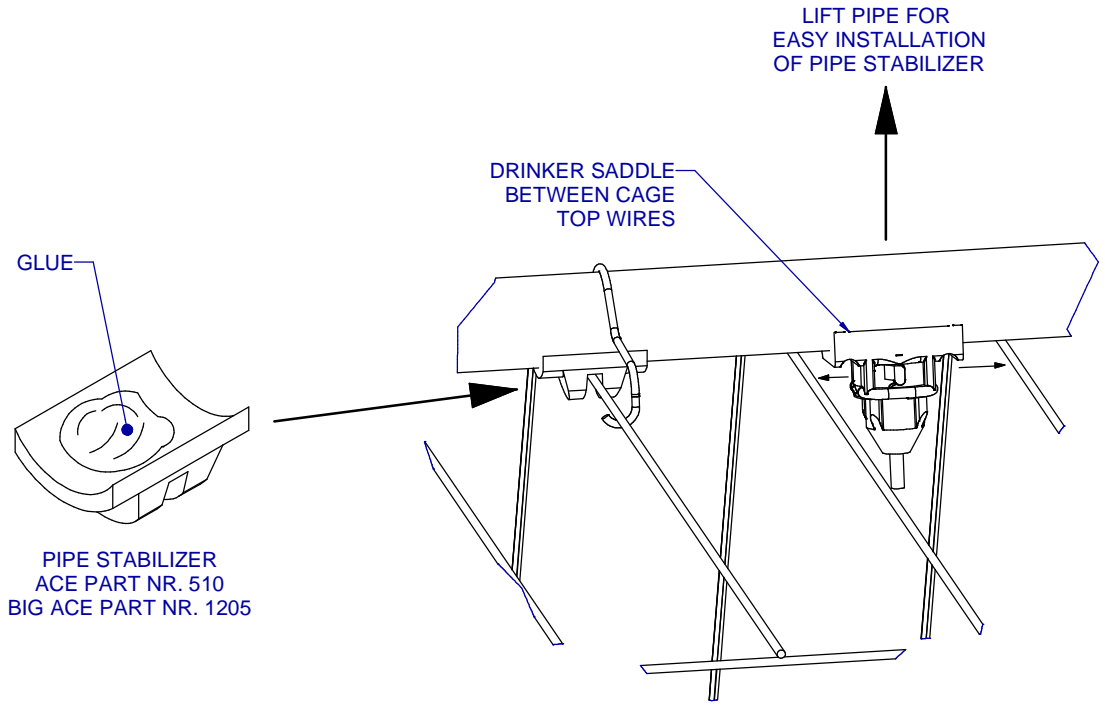


ILLUSTRATION A



INSTALLATION: PIPE STABILIZER ON SLOPED CAGE TOPS

DATE: 2-6-03

REVISION:

PART NR.:

GL1020