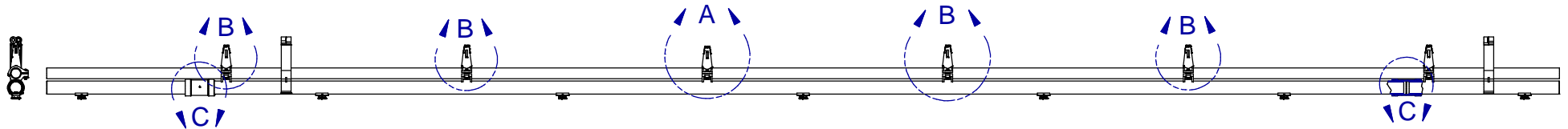
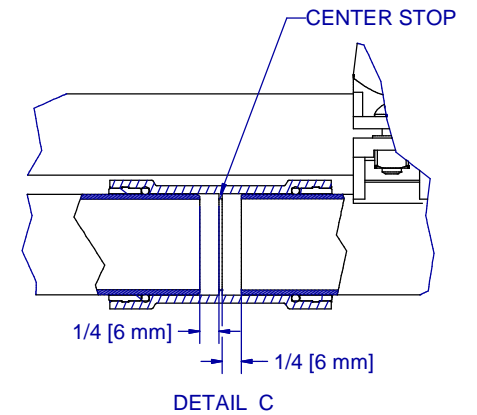
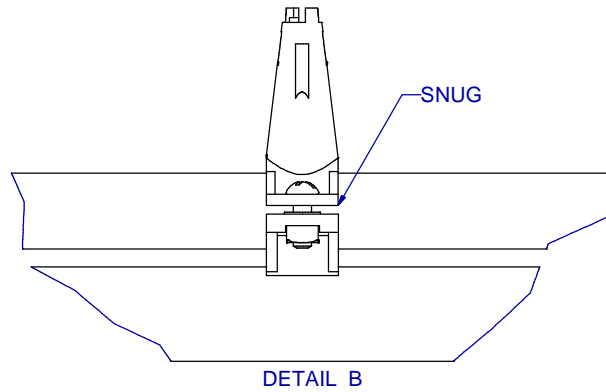
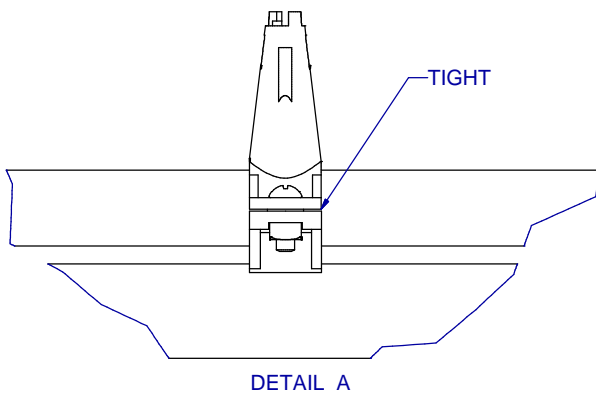


THE FOLLOWING GUIDELINE SHOULD BE USED WHEN INSTALLING ZIGGITY FLOOR KITS TO THE SUPPORT PIPE. (APPLIES TO KIT NRS. 1426-00, 1501-00, 1517-00, 1518-00, 1548-00, 4205 THRU 4245 & 4405 THRU 4445.) DOING SO ALLOWS THE PLASTIC PIPE TO EXPAND AND CONTRACT FREELY AT THE CONNECTOR AREA THUS PREVENTING SNAKING AND POTENTIAL DAMAGE AT THE WRAP ADAPTER BOTTOM AND PLASTIC PIPE CONTACT POINT.

INSTALL THE SUPPORT PIPE AND WINCH TO A COMFORTABLE ASSEMBLY HEIGHT AND THEN ATTACH THE FIRST PIPE KIT IN THE FOLLOWING MANNER:

- 1.) LOOSELY INSTALL ALL THE WRAP ADAPTER TOPS WITH BOLTS AND NUTS (PT. NRS. 670, 159 & 160)
- 2.) MAKE CERTAIN THE PIPE DRINKER SADDLES ARE STRAIGHT DOWN
- 3.) TIGHTEN THE MIDDLE WRAP ADAPTER TOP BOLT AND NUT (NOTE A BELOW)
- 4.) ONLY SNUG-TIGHTEN THE OTHER FOUR WRAP ADAPTER TOPS (NOTE B BELOW)
- 5.) ATTACH SECOND PIPE TO THE FIRST USING THE PIPE CONNECTOR. MAKE CERTAIN THE JOINING ENDS OF THE TWO PIPES ARE FULLY UP AGAINST THE CENTER STOP IN THE PIPE CONNECTOR.
- 6.) REPEAT STEP 1. ABOVE
- 7.) PULL CONNECTOR AWAY FROM THE FIRST PIPE APPROXIMATELY 1/4" OR 6MM
- 8.) HOLD SECURELY THE PIPE CONNECTOR AND PULL SECOND PIPE AWAY FROM THE PIPE CONNECTOR STOP APPROXIMATELY 1/4" OR 6MM
- 9.) COMPLETE STEPS 2 THRU 8 AND REPEAT TO THE END OF THE LINE



INSTALLATION: FLOOR SYSTEM
W/HIGH TOP BRACKETS PT. NR. 670

DATE: 2-7-03

REVISION:

PART NR.:

GL1021