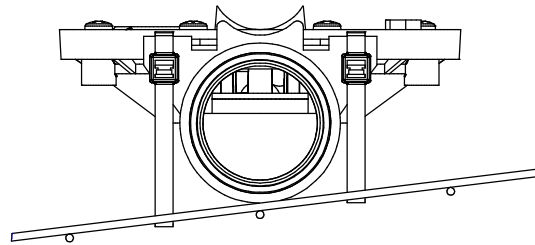
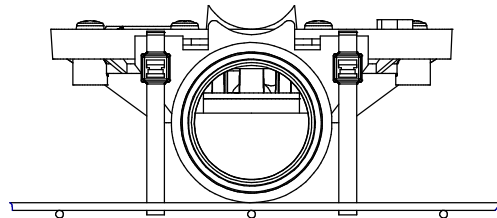
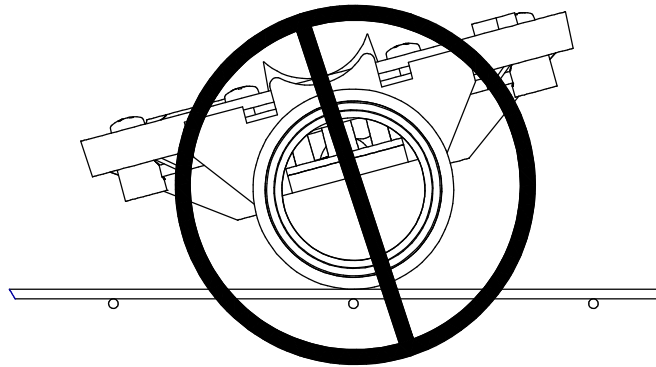


IMPORTANT:

- 1.) USE A ZIP-TIE NO SMALLER THAN 1/4"/6.35mm AND NO LARGER THAN 9/32"/7.14mm
- 2.) INSTALL ZIP-TIES SO THAT SLOPE NEUTRALIZER IS PERFECTLY HORIZONTAL (VIEW A & B)
- 3.) MAKE CERTAIN THE HOLES ARE DIRECTLY OVER A CAGE TOP WIRE (VIEW C)

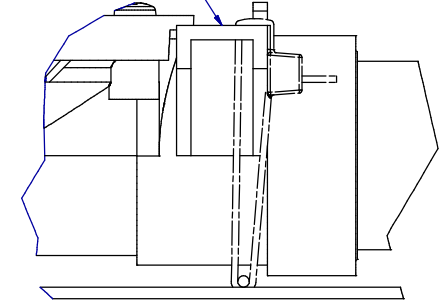


APPLICATION FOR 7 DEGREE SLOPING CAGE TOPS
VIEW A

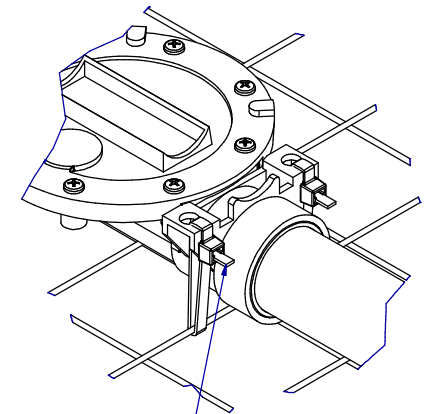


ZIP-TIE APPLICATION FOR HORIZONTAL CAGE TOP
VIEW B

HOLE OVER CAGE WIRE



VIEW C



TRIM ZIP-TIE ONCE FULLY TIGHTENED