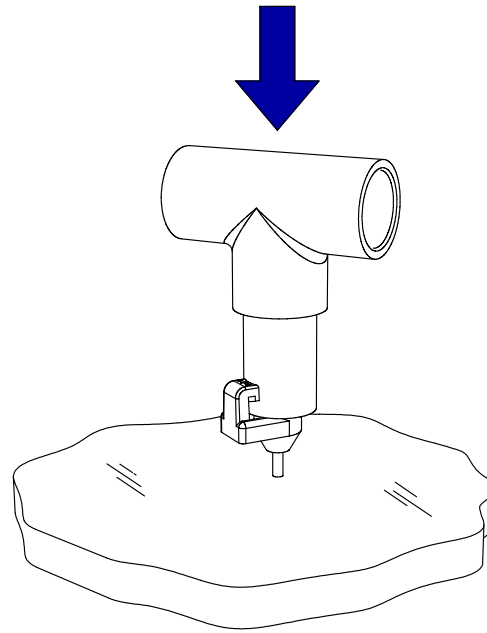
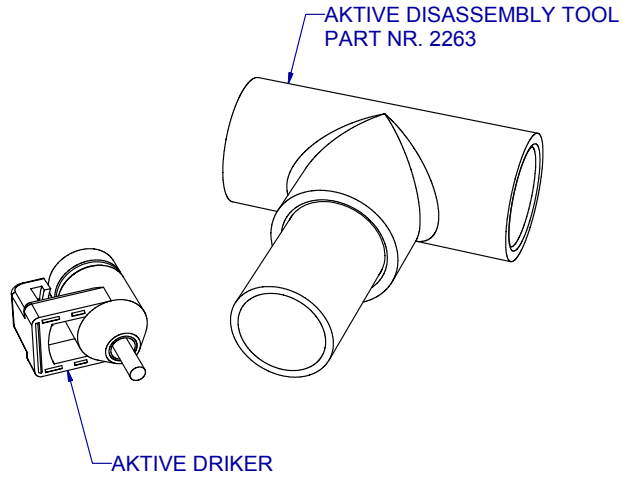
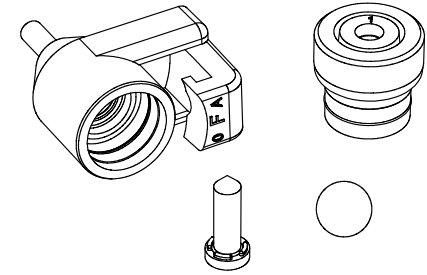


NOTES:

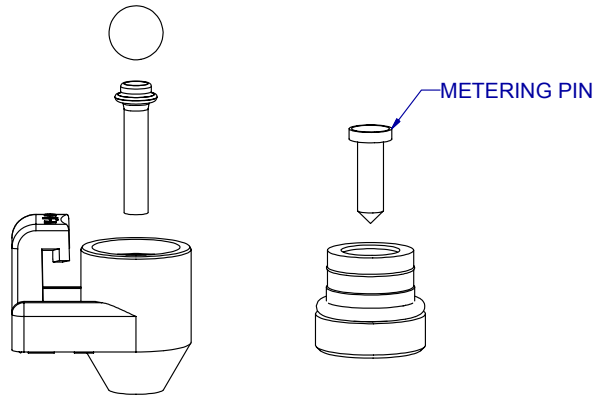
SCALE: 100%



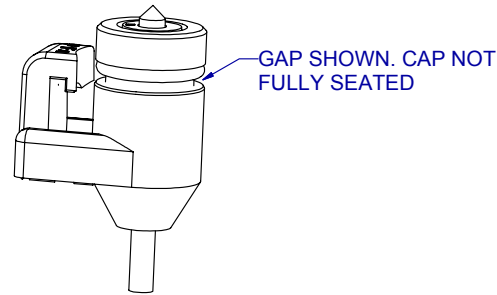
LOAD DRINKER INTO TOOL AS SHOWN AND PRESS DOWNWARD ONTO A HARD SURFACE



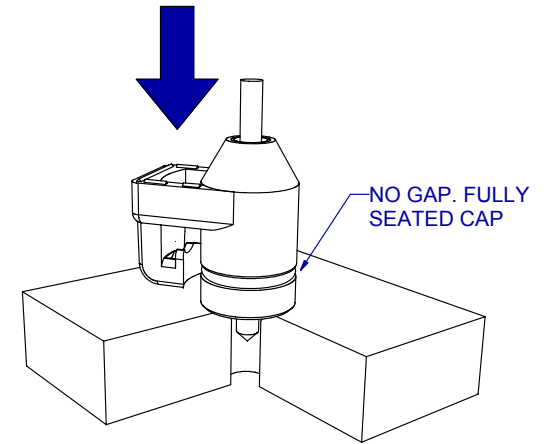
COMPONENTS AFTER DISASSEMBLY



REASSEMBLE COMPONENTS AS SHOWN. GENTLY PUSH METERING PIN INTO THE METERING PIN THROUGH HOLE IN THE CAP. FORCING THE METERING PIN INTO THE HOLE WILL DAMAGE THE CAP.



PRESS CAP INTO THE BODY AS FAR AS POSSIBLE USING YOUR FINGERS. SNAP THE CAP INTO PLACE COMPLETELY.



IF YOU ARE UNABLE TO PRESS THE CAP FULLY INTO PLACE USING YOUR FINGERS THEN THE PREFERRED WAY IS TO FIND OR MAKE A BLOCK WITH A THROUGH HOLE AND PLACE DRINKER OVER THE HOLE AS SHOWN. PRESS DOWNWARD ON THE BODY UNTIL THE CAP IS IN PLACE.



AKTIVE DRINKER DISASSEMBLY/REASSEMBLY

PART NR.:

DATE: 11-18-03

REVISION:

GL1029