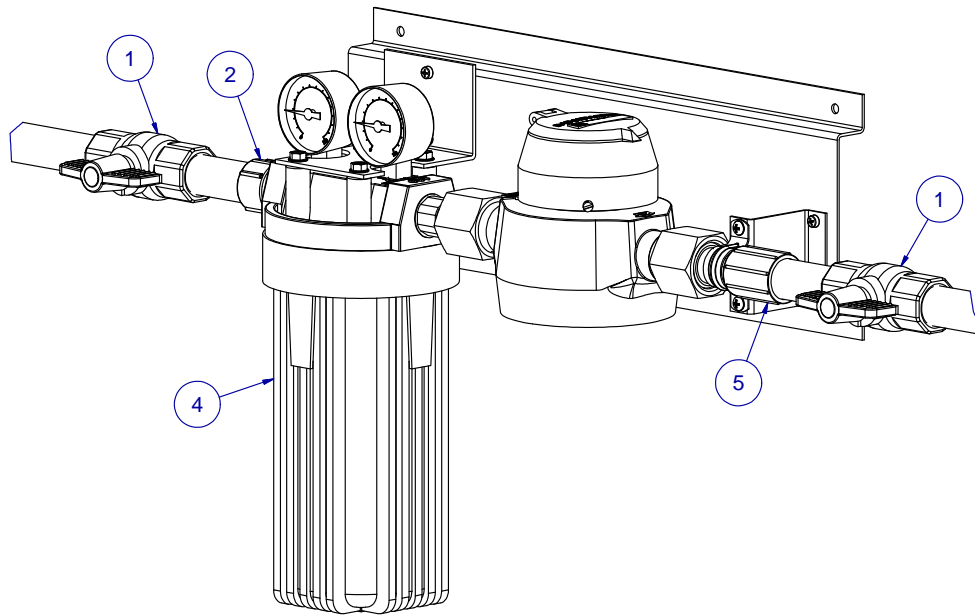
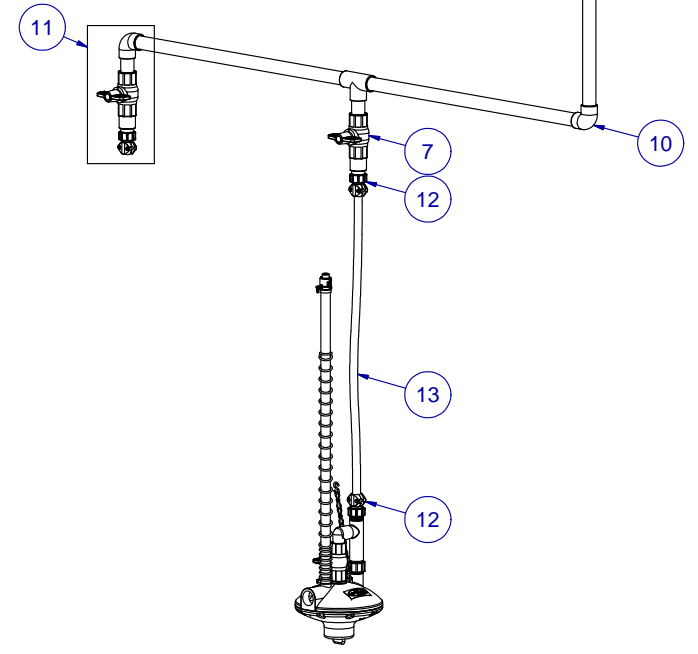
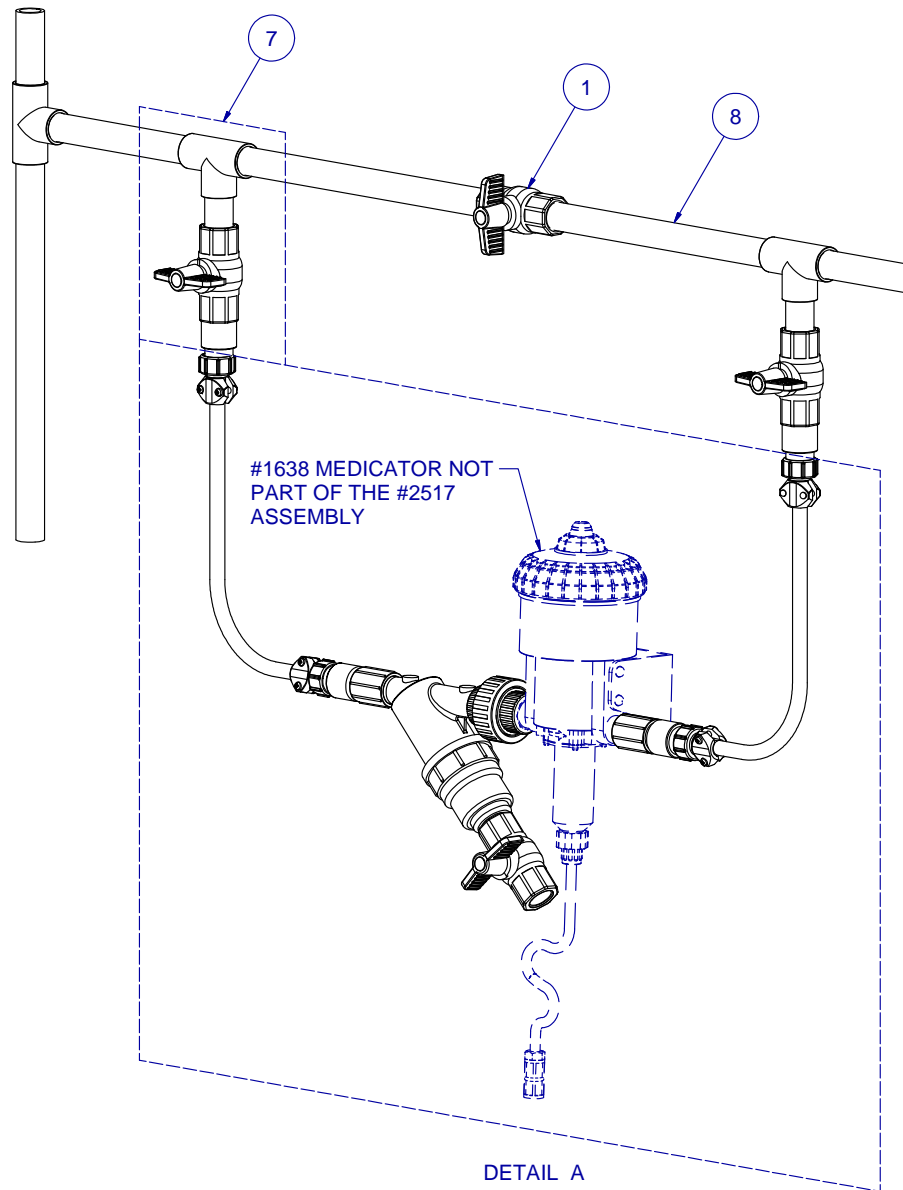


DETAIL B
OPTION #1



DETAIL C
OPTION #2





ITEM	PART NR.	DESCRIPTION
1	1587	BALL VALVE: 3/4" PVC SLIP
2	1649	FITTING: PVC MALE ADAPTER 3/4" X 3/4" MNPT
3	192	FILTER: 3/4"
4	193	FILTER & METER PANEL: 3/4"
5	1997	FITTING: PVC ADAPTER 3/4" FNPT X 3/4" SLIP
6	1648	FITTING: PVC TEE 3/4"
7	1899	REGULATOR SUPPLY VALVE UNIT: 3/4" TEE X MHT
8	1586	PIPE: 3/4" PVC
9	1897	FITTING: PVC COUPLING 3/4"
10	1647	FITTING: PVC ELBOW 3/4"
11	2003	REGULATOR SUPPLY VALVE UNIT: ELBOW 3/4" PVC
12	817	COUPLING: FHT X 1/2" BARB
13	1788	HOSE: REG WATER SUPPLY 1/2" X 60FT/18M
14	2517	MEDICATOR HOOK UP ASSEMBLY: DOSATRON