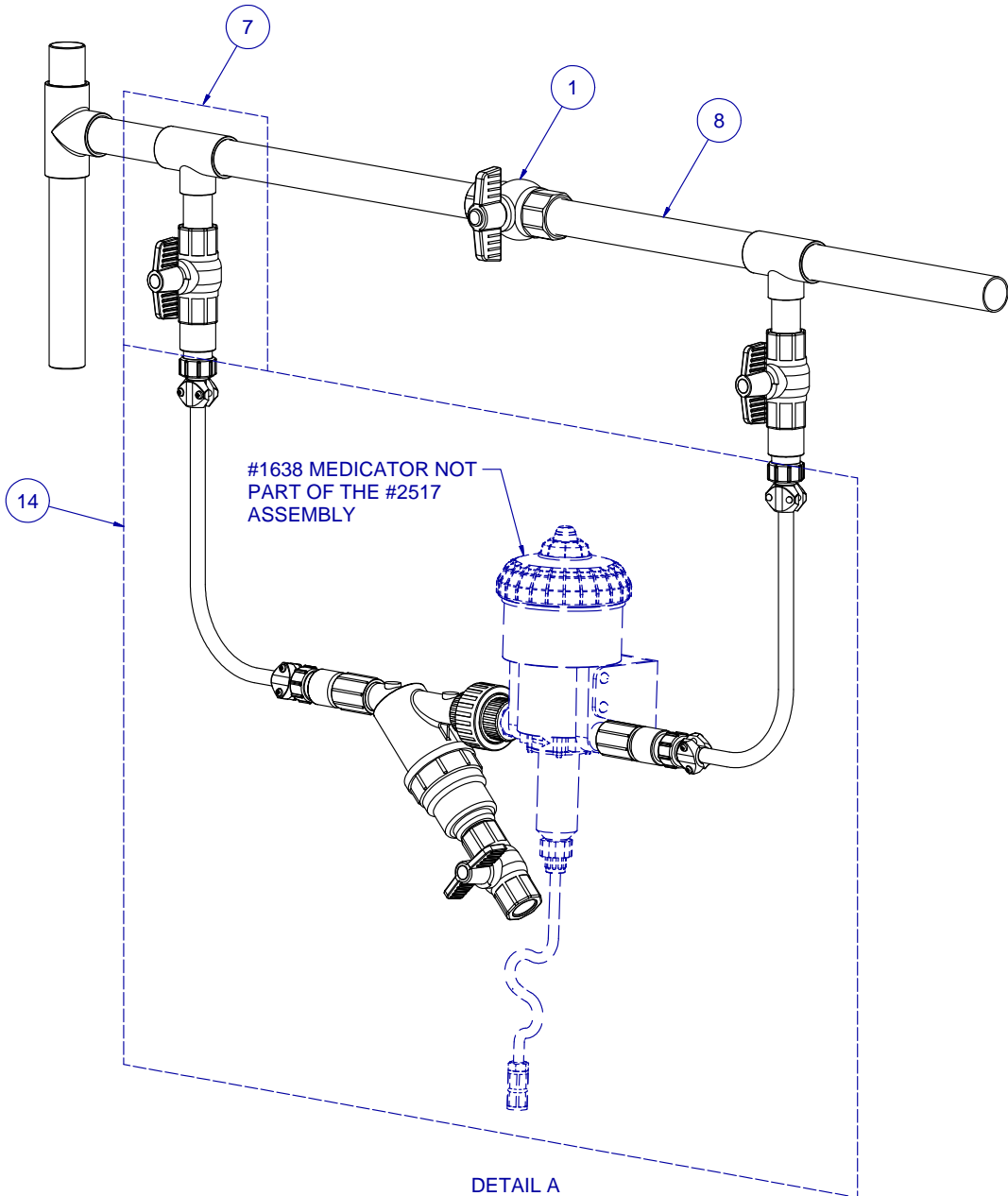


DETAIL B

DETAIL C





ITEM	PART NR.	DESCRIPTION
1	1112	BALL VALVE: 1" PVC SLIP
2	1154	FITTING: PVC MALE ADAPTER 1" X 1" MNPT
3	775	FILTER: 1"
4	1581	FITTING: PVC ADAPTER 1" SLIP X 1" FNPT
5	770	WATER METER: 1" - USG
6	1156	FITTING: PVC TEE 1"
7	1909	REGULATOR SUPPLY VALVE UNIT: TEE 1" PVC
8	1900	PIPE: 1" PVC
9	1152	FITTING: PVC ELBOW 1"
10	1084	FITTING: PVC COUPLING 1"
11	2458	REGULATOR SUPPLY VALVE UNIT: ELBOW 1" PVC
12	817	COUPLING: FHT X 1/2" BARB
13	1788	HOSE: REG WATER SUPPLY 1/2" X 60FT/18M
14	2517	MEDICATOR HOOK UP ASSEMBLY: DOSATRON