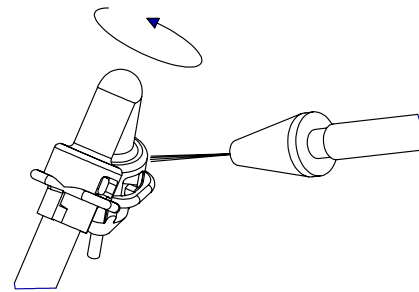
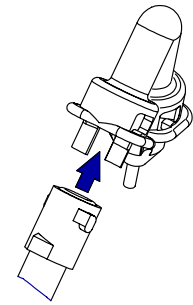


1



2



3

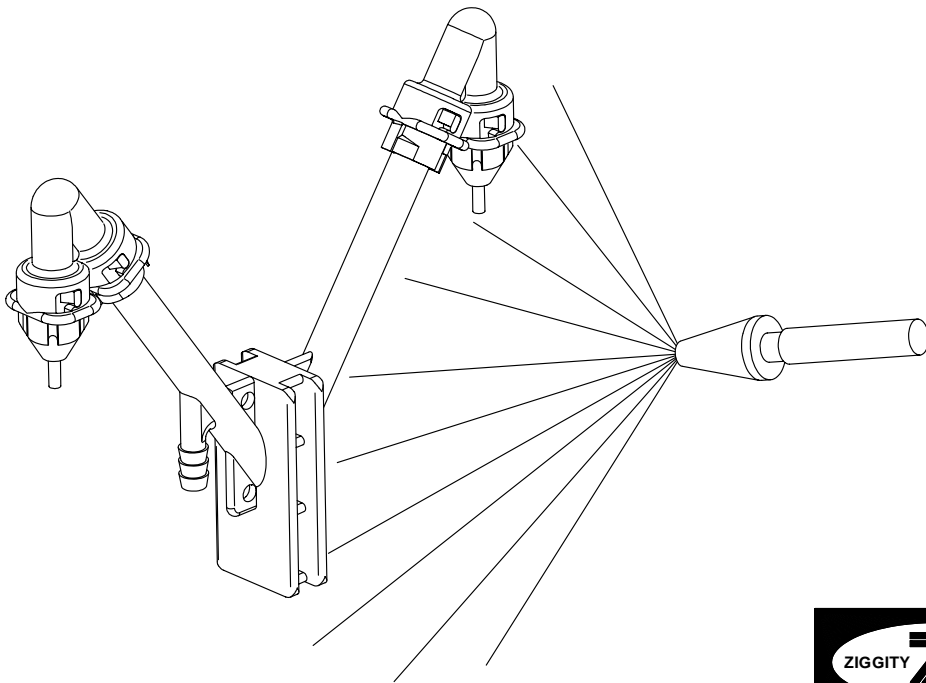
High pressure spraying may cause the elbow saddle to rotate and work their way off the TL Start Grow Unit
 Note illustrations 1, 2 & 3.

Avoid this problem by:

- 1.) Using a wider, less concentrated spray pattern
- 2.) Not directing the spray directly at the elbow saddle
- 3.) Creating sufficient distance between the spray nozzle and elbow saddles

Note illustration 4.

4



RECOMMENDED SPRAYING PROCEDURES:
 TL START GROW SYSTEMS

PART NR.:

GL1045

DATE: 12-3-04

REVISION: