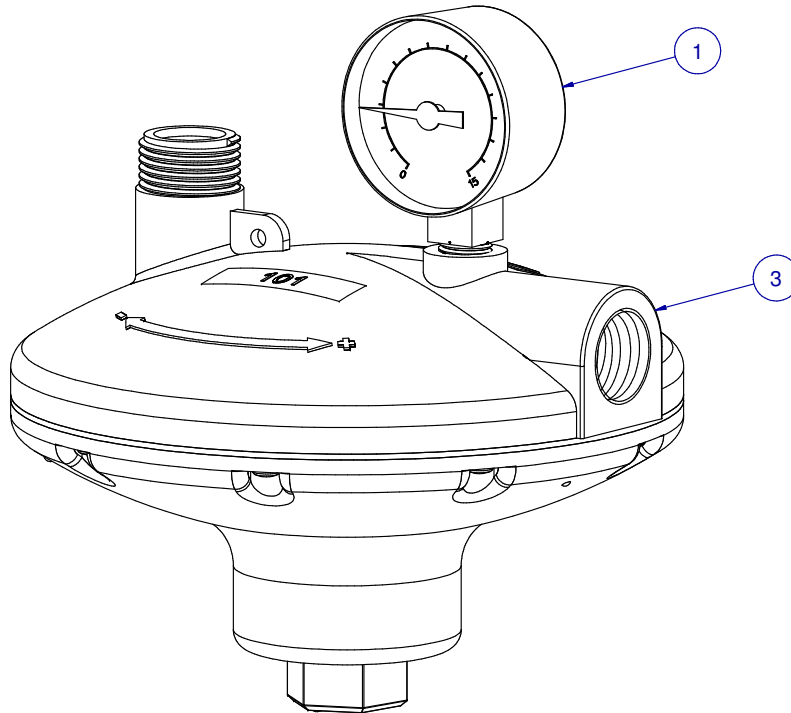


ITEM	PART NR.	QTY	DESCRIPTION
1	103	1	PRESSURE GAUGE: 0 - 15 PSI / 0 - 1 BAR
3	2348	1	REGULATOR UNIT: 3 - 10 PSI / 0.2 - 0.7 BAR 3/4" FNPT X MHT INLET



REGULATOR: 3 - 10 PSI / 0.2 - 0.7 BAR 3/4" FNPT X MHT INLET

PART NR.:

DATE: 03-06-01

REVISION: 5

101