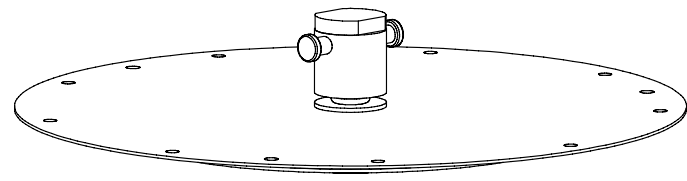
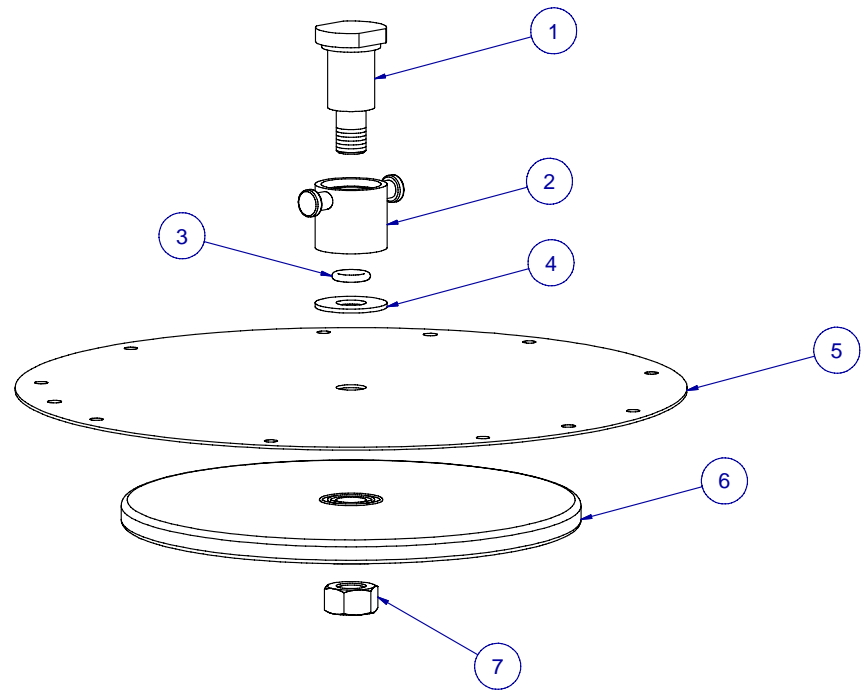


ITEM	PART NR.	QTY	DESCRIPTION
1	92	1	REGULATOR PART: SHOULDER BOLT - STANDARD
2	91	1	REGULATOR PART: SWIVEL COUPLING - STANDARD
3	417	1	O-RING: 6.40MM ID X 10.21MM OD X 1.90MM CS
4	157	1	WASHER: METAL - 5/16" ID X 3/4" OD X 0.044" TH
5	181	1	REGULATOR PART: DIAPHRAGM 0 - 2.1 PSI
6	97	1	REGULATOR PART: DIAPHRAGM BACKING PLATE - STANDARD
7	89	1	FASTENER: NUT HEX 5/16"-18 X 1/2" WD X 17/64" H



REGULATOR PART: DIAPHRAGM ASSEMBLY 0 - 2.1 PSI		PART NR.:
DATE: 11-20-00	REVISION: 1	301