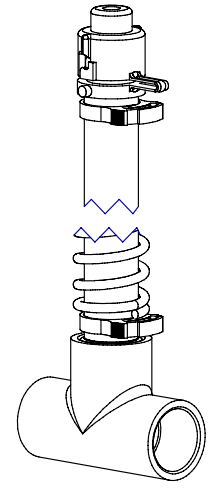
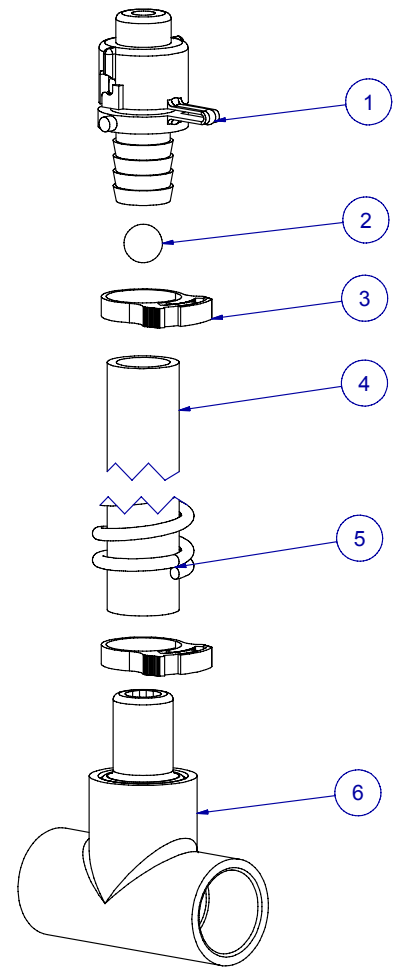


ITEM	PART NR.	QTY	DESCRIPTION
1	2005	1	RISER TUBE CAP
2	147	1	BALL: RISER TUBE
3	511	2	CLAMP: SNAP 0.746" - 0.848" DIA.
4	122-24	1	RISER TUBE: 24" / 60 CM
5	1895	1	SPRING: RISER TUBE
6	930	1	AIR RELEASE UNIT: CAGE ACE



AIR RELEASE ASSEMBLY: CAGE ACE
DATE: 08-20-01 REVISION: 1

PART NR.:
932