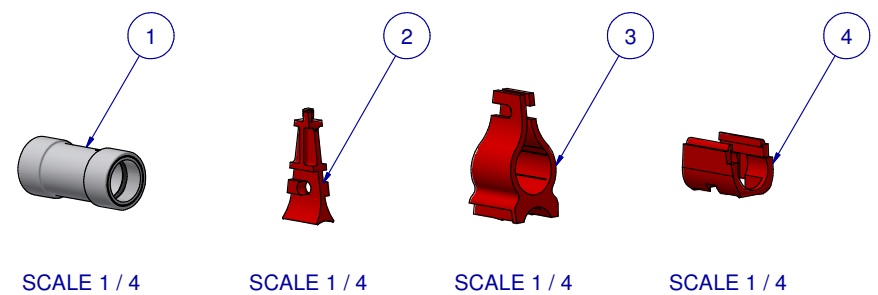
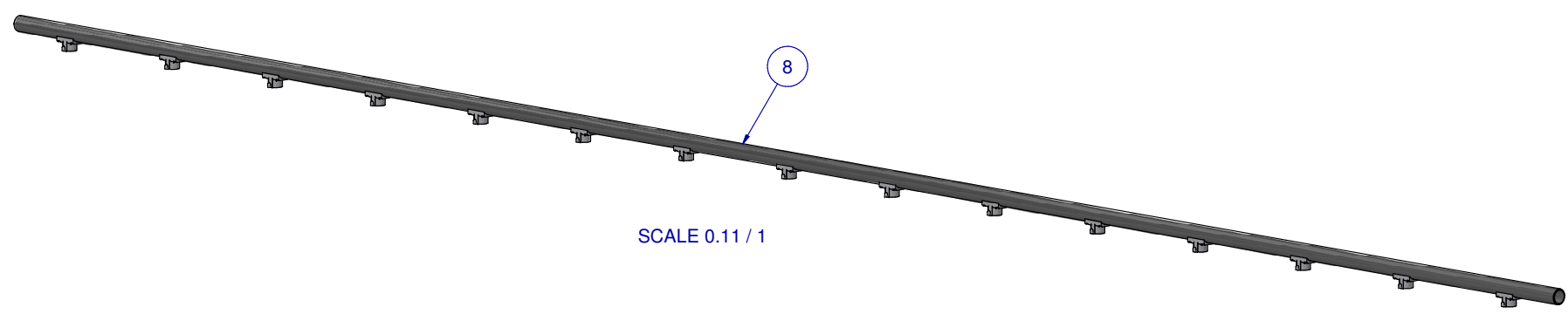
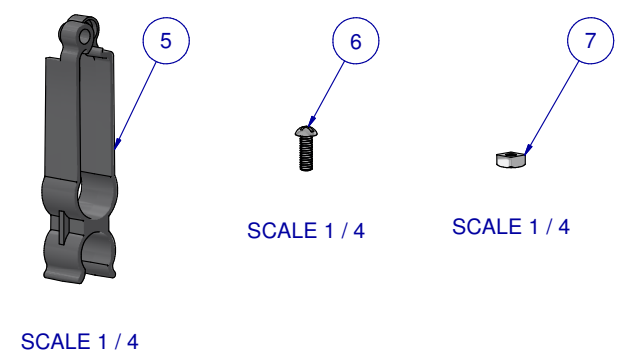


SCALE: 10%



| ITEM | PART NR. | QTY | DESCRIPTION                                          | BIN |
|------|----------|-----|------------------------------------------------------|-----|
| 1    | 260      | 1   | PIPE CONNECTOR: ACE - WHITE                          | E   |
| 2    | 2136     | 5   | BRACKET: AKTIVE - TOP                                | C   |
| 3    | 2137     | 5   | BRACKET: AKTIVE - MIDDLE                             | C   |
| 4    | 2138     | 5   | BRACKET: AKTIVE - BOTTOM                             | C   |
| 5    | 2118     | 1   | HANGER: SUPPORT PIPE - ACE                           | C   |
| 6    | 159      | 5   | FASTENER: SCREW PAN HD PHILLIPS 1/4" - 20 X 3/4" LG  | H   |
| 7    | 160      | 5   | FASTENER: NUT CROWN SQ 1/4" - 20 X 7/16" WD X 1/4" H | H   |
| 8    | 20430515 | 1   | PIPE UNIT: ACE SL 3 M W/20 CM SPACING 15 SADDLES     | B   |



KIT: FLOOR ACE AKTIVE SL 3 M W/20 CM SPACING 15 SADDLES

PART NR.:  
10030515

DATE: 10-31-12

REVISION: