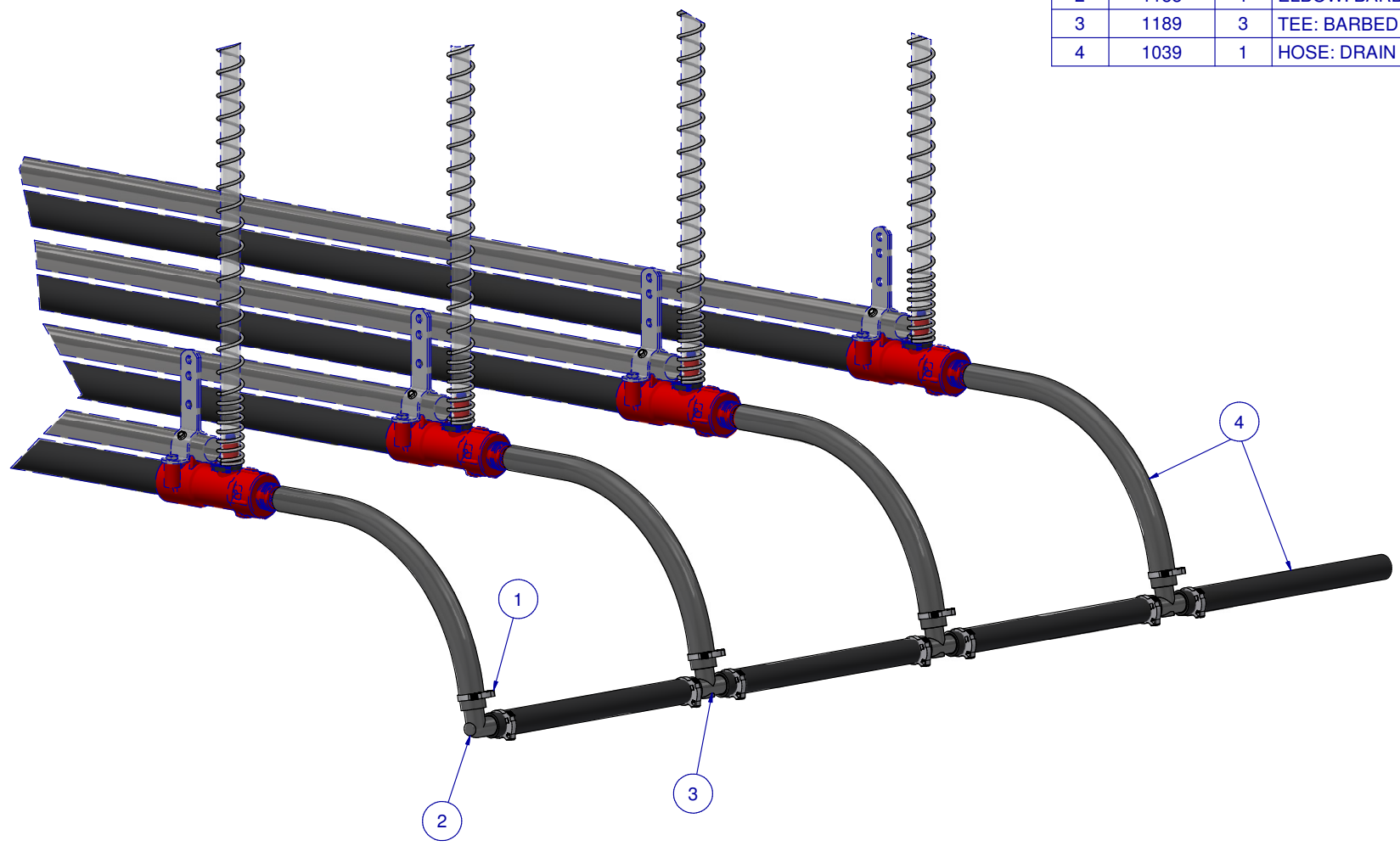


ITEM	PART NR.	QTY	DESCRIPTION
1	1421	11	CLAMP: SNAP 0.928" - 1.072 DIA. - WHITE
2	1188	1	ELBOW: BARBED 3/4"
3	1189	3	TEE: BARBED 3/4"
4	1039	1	HOSE: DRAIN 3/4" X 50 FT / 15 M



DRAIN HOSE KIT: FLOOR - 4 LINE SET UP

DATE: 07-28-03 REVISION: 1

PART NR.:
1187