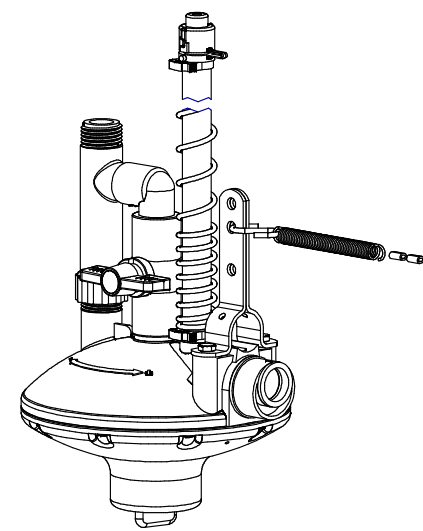


ITEM	PART NR.	QTY	DESCRIPTION
1	2005	1	RISER TUBE CAP
2	147	1	BALL: RISER TUBE
3	511	2	CLAMP: SNAP 0.746" - 0.848" DIA. - BLACK
4	122-24	1	RISER TUBE: 24" / 60 CM
5	1895	1	SPRING: RISER TUBE
6	1374	1	REGULATOR PART: FLUSH UNIT MHT INLET WHITE
7	898	1	CLAMP: SUPPORT PIPE TO FLOOR REGULATOR
8	2765	1	S-HOOK: ANTI-ROOST CABLE ANCHOR
9	206	1	SPRING: ANTI-ROOST
10	207	2	CLIP: ANTI-ROOST CABLE
11	2089	2	FASTENER: BOLT HEX HD M6 X 1 X 16 LG
13	1369	1	ADAPTER: BIG ACE SPIGOT X ACE SLIP
14	2349	1	REGULATOR UNIT: FLOOR



REGULATOR: FLOOR ACE X MHT INLET
 DATE: 03-07-01
 REVISION: 3

PART NR.:
 1291B