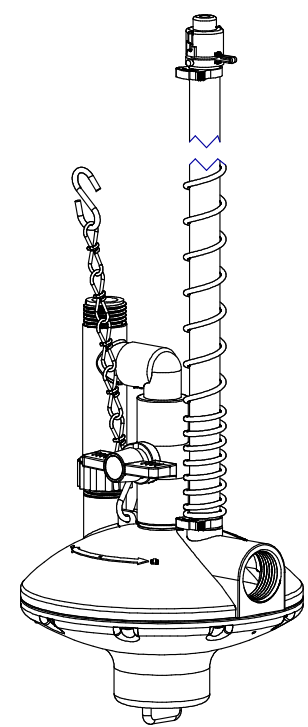


ITEM	PART NR.	QTY	DESCRIPTION
1	2005	1	RISER TUBE CAP
2	511	2	CLAMP: SNAP 0.746" - 0.848" DIA. - BLACK
3	147	1	BALL: RISER TUBE
4	122-24	1	RISER TUBE: 24" / 60 CM
5	2765	2	S-HOOK: ANTI-ROOST CABLE ANCHOR
6	1895	1	SPRING: RISER TUBE
7	767	1	CHAIN: DOUBLE LOOP #3 X 36" / 92 CM
8	1374	1	REGULATOR PART: FLUSH UNIT MHT INLET WHITE
10	2350	1	REGULATOR UNIT: CAGE 1" FNPT



REGULATOR: CAGE 1" FNPT X MHT INLET

DATE: 03-13-01

REVISION: 2

PART NR.: 1293