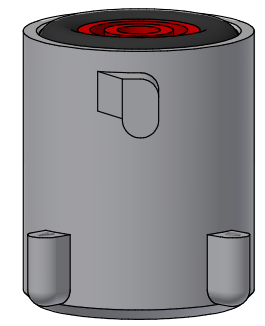
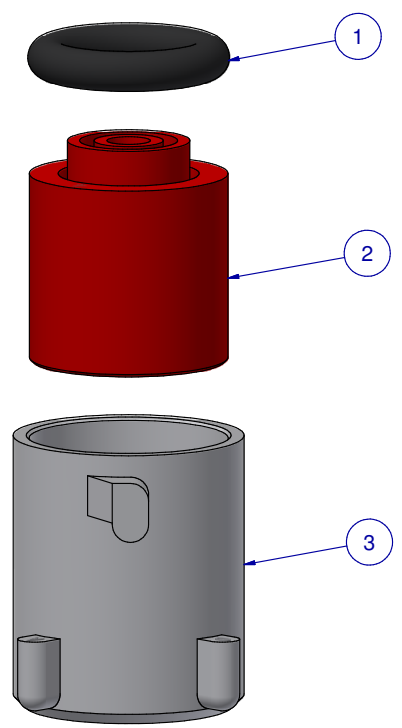


SCALE: 150%

ITEM	PART NR.	QTY	DESCRIPTION
1	47-205	1	O-RING: 205 - 0.421" ID X 11/16" OD X 0.139" CS
2	1792	1	DRINKER PART: CAP BIG Z - RED
3	1509	1	SADDLE PLUG BODY: BIG Z



SADDLE PLUG: BIG Z

DATE: 07-15-03 REVISION: 1

PART NR.:
1502