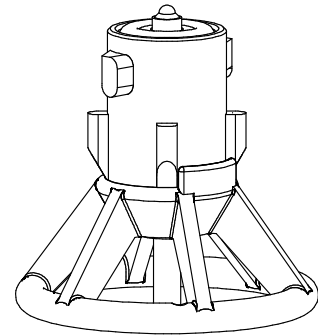


ITEM	PART NR.	QTY	DESCRIPTION
1	409	1	O-RING: 108 - 0.237" ID X 7/16" OD X 0.103" CS
2	1767	1	DRINKER PART: CAP TL - NATURAL
3	2504	1	DRINKER PART: METERING PIN - WHITE
4	1764	1	DRINKER PART: BALL - 9/32" TL & AKTIVE
5	1765	1	DRINKER PART: SEAT STAINLESS - TL & AKTIVE
6	2443	1	DRINKER PART: TRIGGER PIN - TL & AKTIVE
7	1364	1	DRINKER PART: BODY TL OPEN SHIELD



DRINKER: TL MAX3 OPEN SHIELD - WHITE
 DATE: 01-22-01
 REVISION: 3

PART NR.:
 1521