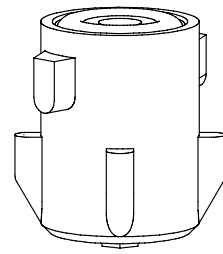
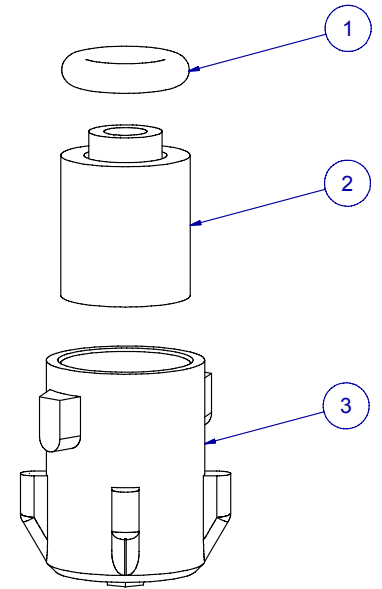


ITEM	PART NR.	QTY	DESCRIPTION
1	409	1	O-RING: 108 - 0.237" ID X 7/16" OD X 0.103" CS
2	1766	1	DRINKER PART: CAP TL - WHITE
3	1542	1	SADDLE PLUG: BODY TL



SADDLE PLUG: TL	
DATE: 12-25-01	REVISION: 1

PART NR.:
1541