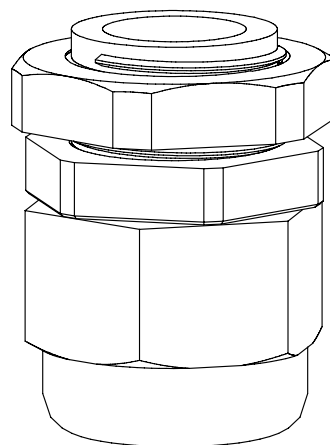


SCALE: 150%



REGULATOR PART: SOLENOID VALVE CONNECTOR

PART NR.:

DATE: 3-09-01

REVISION: 1

1567