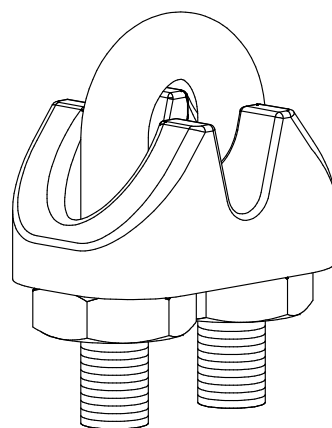


SCALE: 200%



CABLE CLAMP: 1/8"	
DATE: 09-24-01	REVISION: 1

PART NR.:
1591