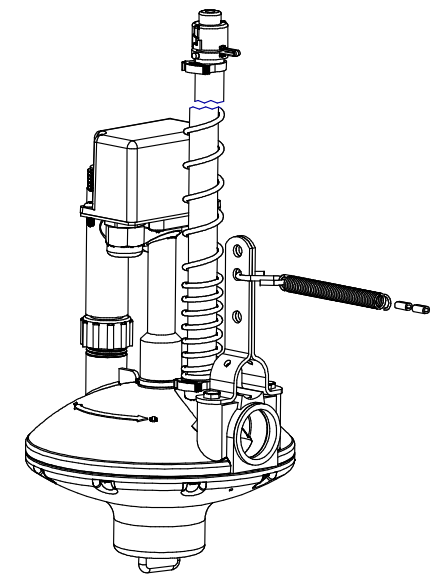


| ITEM | PART NR. | QTY | DESCRIPTION |
|------|----------|-----|---|
| 1 | 2005 | 1 | RISER TUBE CAP |
| 2 | 511 | 2 | CLAMP: SNAP 0.746" - 0.848" DIA. - BLACK |
| 3 | 147 | 1 | BALL: RISER TUBE |
| 4 | 122-24 | 1 | RISER TUBE: 24" / 60 CM |
| 5 | 1895 | 1 | SPRING: RISER TUBE |
| 6 | 1573 | 1 | REGULATOR PART: SOLENOID FLUSH MHT INLET - 24 VAC |
| 7 | 898 | 1 | CLAMP: SUPPORT PIPE TO FLOOR REGULATOR |
| 8 | 2765 | 1 | S-HOOK: ANTI-ROOST CABLE ANCHOR |
| 9 | 206 | 1 | SPRING: ANTI-ROOST |
| 10 | 207 | 2 | CLIP: ANTI-ROOST CABLE |
| 11 | 2089 | 2 | FASTENER: BOLT HEX HD M6 X 1 X 16 LG |
| 13 | 2349 | 1 | REGULATOR UNIT: FLOOR |



REGULATOR: FLOOR SOLENOID BIG ACE X MHT INLET - 24 VAC

PART NR.:

DATE: 03-07-01

REVISION: 3

1611