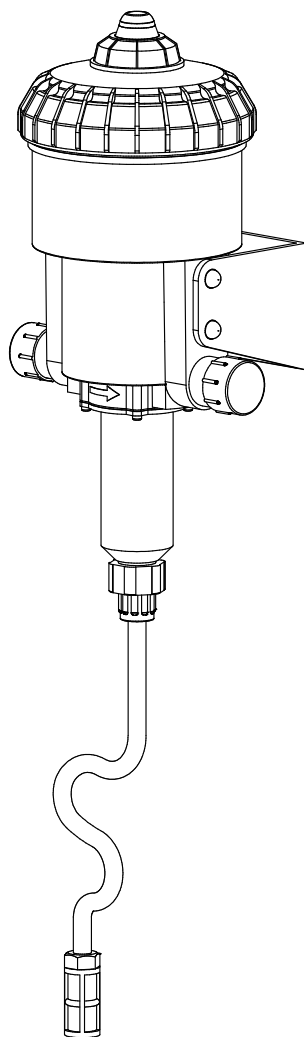


NOTES:

1.) **MODEL NR. = D25RE2**

RATIO RANGE: 1:500 TO 1:50 (.2% TO 2%)

WATER FLOW RANGE: .05 TO 11 GPM / 0.19 TO 42 LPM



MEDICATOR: DOSATRON	
DATE: 09-27-01	REVISION: 4

PART NR.:
1638