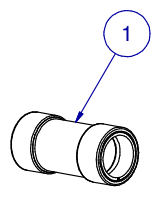
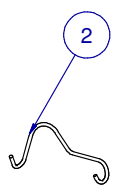


SCALE: -

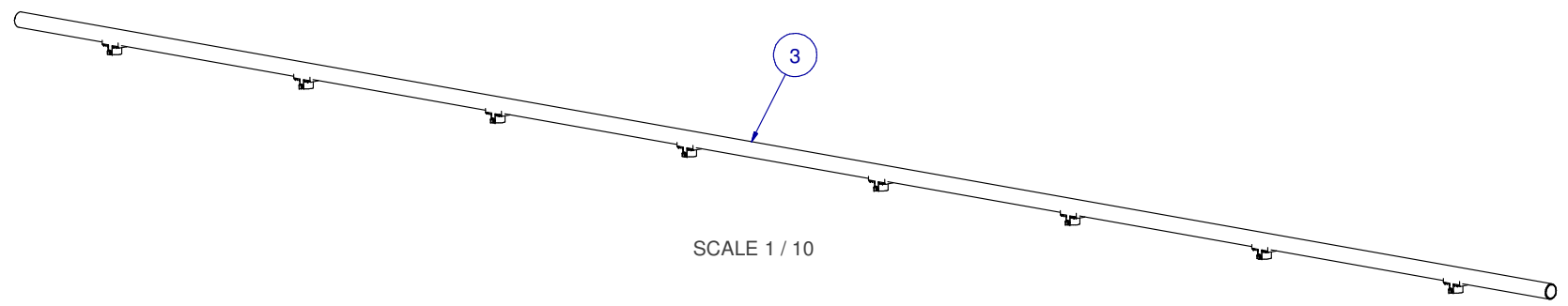
ITEM	PART NR.	QTY	DESCRIPTION
1	260	1	PIPE CONNECTOR: ACE - WHITE
2	106	4	PIPE CLIP: ACE
3	70610508	1	PIPE UNIT: ACE SL 10 FT W/15" SPACING 8 SADDLES



SCALE 1 / 4



SCALE 1 / 4



SCALE 1 / 10



KIT: CAGE ACE SL 10 FT W/15" SPACING 8 SADDLES

PART NR.:

DATE: 05-04-04

REVISION: 2

16410515