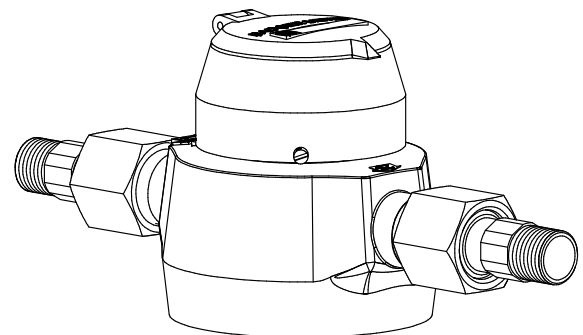
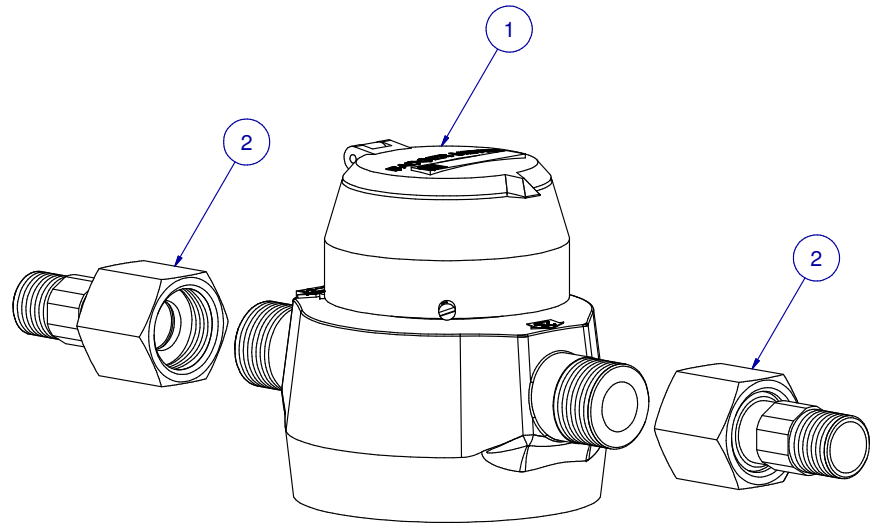


ITEM	PART NR.	QTY	DESCRIPTION
1	232	1	WATER METER PART: 3/4" UNIT - W/O COUPLINGS
2	1418	1	WATER METER PART: COUPLINGS FOR 3/4" UNIT



WATER METER: 3/4" - USG

PART NR.:

DATE: 08-24-01 REVISION: 1

169