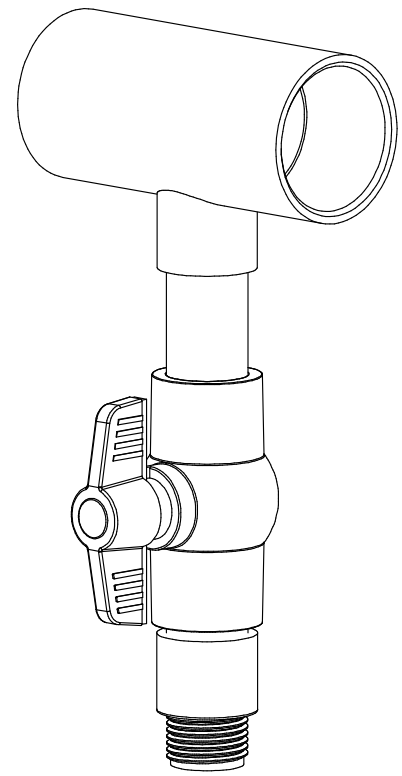


ITEM	PART NR.	QTY	DESCRIPTION
1	1579	1	FITTING: PVC REDUCING TEE 1 1/2"
2	1586-3	1	PIPE: PVC 3/4" X 3"
3	1587	1	FITTING: PVC BALL VALVE 3/4"
4	1586-1.875	1	PIPE: PVC 3/4" X 1.875"
5	2403	1	FITTING: PVC MALE ADAPTER 3/4" X MHT



REGULATOR SUPPLY VALVE UNIT: TEE 1 1/2"

PART NR.:

DATE: 10-09-00

REVISION: 3

1721