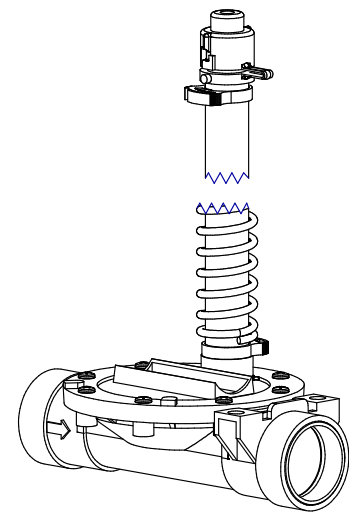


ITEM	PART NR.	QTY	DESCRIPTION
1	2005	1	RISER TUBE CAP
2	147	1	BALL: RISER TUBE
3	511	2	CLAMP: SNAP 0.746" - 0.848" DIA. - BLACK
4	122-24	1	RISER TUBE: 24" / 60 CM
5	1895	1	SPRING: RISER TUBE
6	1998-6L	1	SLOPE NEUTRALIZER UNIT: CAGE 5.5" / 14 CM AVERAGE REDUCTION - LEFT



SLOPE NEUTRALIZER: CAGE BIG ACE - 5.5" /14 CM  
AVERAGE REDUCTION - LEFT

PART NR.:

DATE: 03-16-01

REVISION: 1

1807-6L