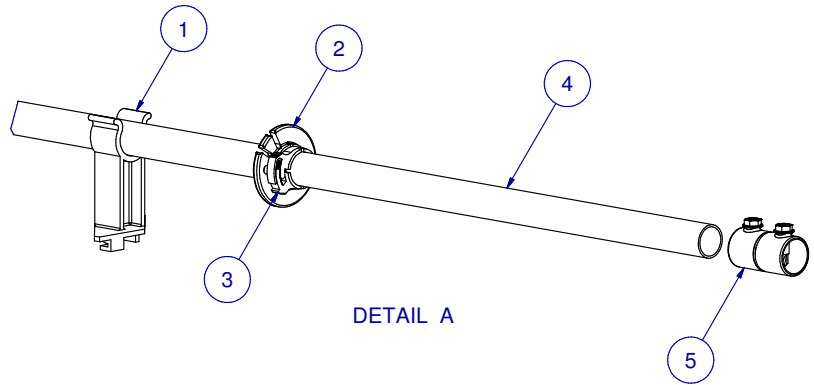
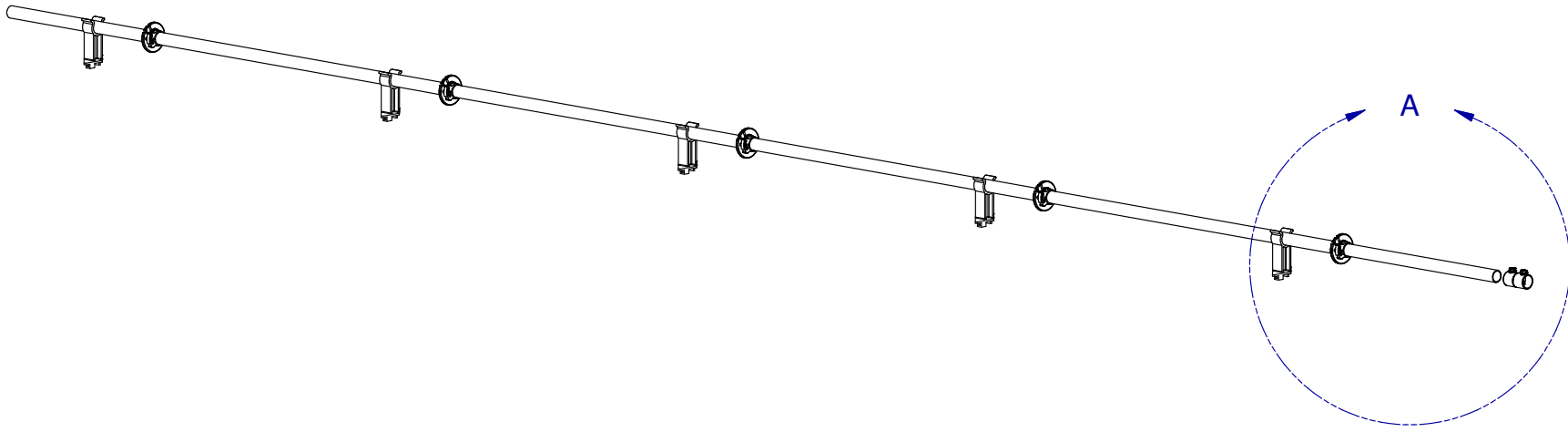


ITEM	PART NR.	QTY	DESCRIPTION
1	1870	5	START GROW LIFT SYSTEM PART: CONDUIT SUPPORT
2	1871	5	START GROW LIFT SYSTEM PART: CORD ANCHOR
3	511	5	CLAMP: SNAP 0.746" - 0.848" DIA. - BLACK
4	1882	1	START GROW LIFT SYSTEM PART: CONDUIT 1/2"
5	1874	1	START GROW LIFT SYSTEM PART: CONDUIT CONNECTOR



DETAIL A



KIT: START GROW CONDUIT LIFT SYSTEM 10 FT X 24" SPACING

DATE: 01-03-02      REVISION: 1

PART NR.: 1868-24