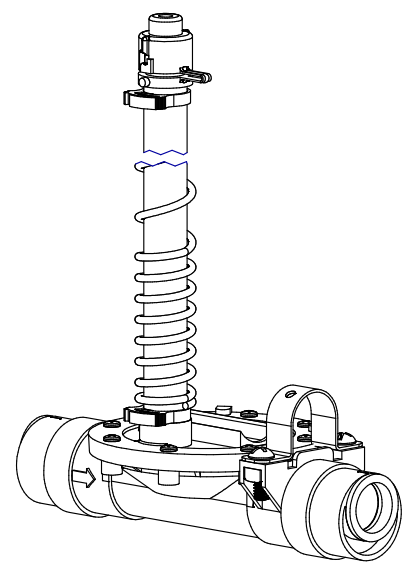


ITEM	PART NR.	QTY	DESCRIPTION
1	2005	1	RISER TUBE CAP
2	147	1	BALL: RISER TUBE
3	511	2	CLAMP: SNAP 0.746" - 0.848" DIA. - BLACK
4	122-24	1	RISER TUBE: 24" / 60 CM
5	1895	1	SPRING: RISER TUBE
6	159	2	FASTENER: SCREW PAN HD PHILLIPS 1/4" - 20 X 3/4" LG
7	2643	1	CLAMP: FLOOR NEUTRALIZER MOUNT
8	1998-4R	1	SLOPE NEUTRALIZER UNIT: FLOOR 4.25" / 10.8 CM AVERAGE REDUCTION - RIGHT
9	160	2	FASTENER: NUT CROWN SQ 1/4" - 20 X 7/16" WD X 1/4" H
10	1369	2	ADAPTER: BIG ACE SPIGOT X ACE SLIP



SLOPE NEUTRALIZER: FLOOR ACE 4.25" / 10.8 CM AVERAGE REDUCTION

PART NR.:

DATE: 03-19-01

REVISION: 2

1920B-4